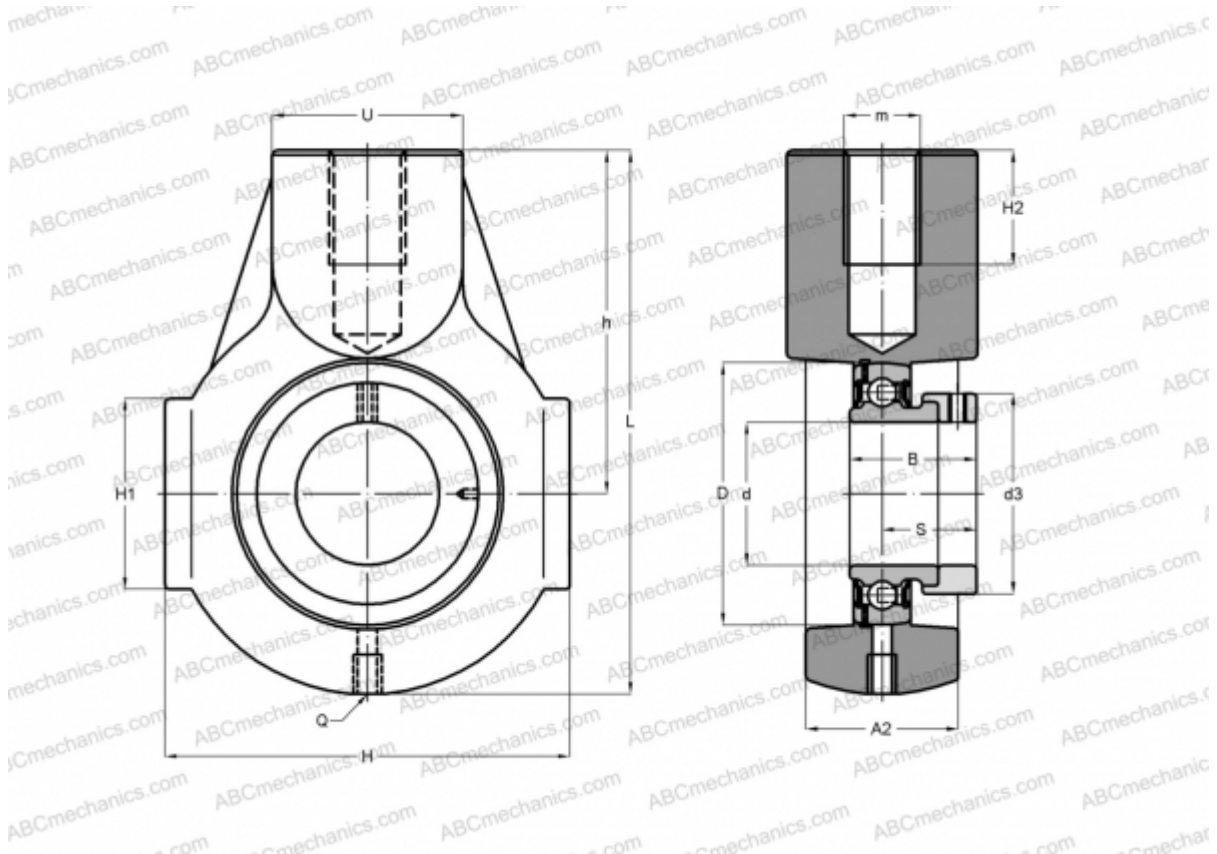


ESEHE204 SNR

Ball bearing units

TYPE: Housing units, Take-up housing units, Cast iron housing, Radial insert ball bearing with eccentric locking collar, With inner ring extended at one side, bracket



Technical specification

DIMENSIONS, MM

d	20,000
D	47,000
B	30,900
L	91,000
H	65,000
H2	21,000
A2	25,000
H1	38,000
S	7,500
d3	33,300
U	30,000
h	58,000
m	M16
Q	R1/8"

CALCULATION DATA

Operating temperature max	110 °C
---------------------------	--------

WEIGHT, KG

Bearing	ES204
Housing	EHE204
WEIGHT, KG	0,700

MANUFACTURER

[SNR](#)

INTERCHANGE

ABC	ESEHE204
INA	PHE20
SLB	SAHA204

CALCULATION DATA

Basic dynamic load rating, C	12,800 kN
Basic static load rating, Co	6,650 kN
Operating temperature min	-20 °C