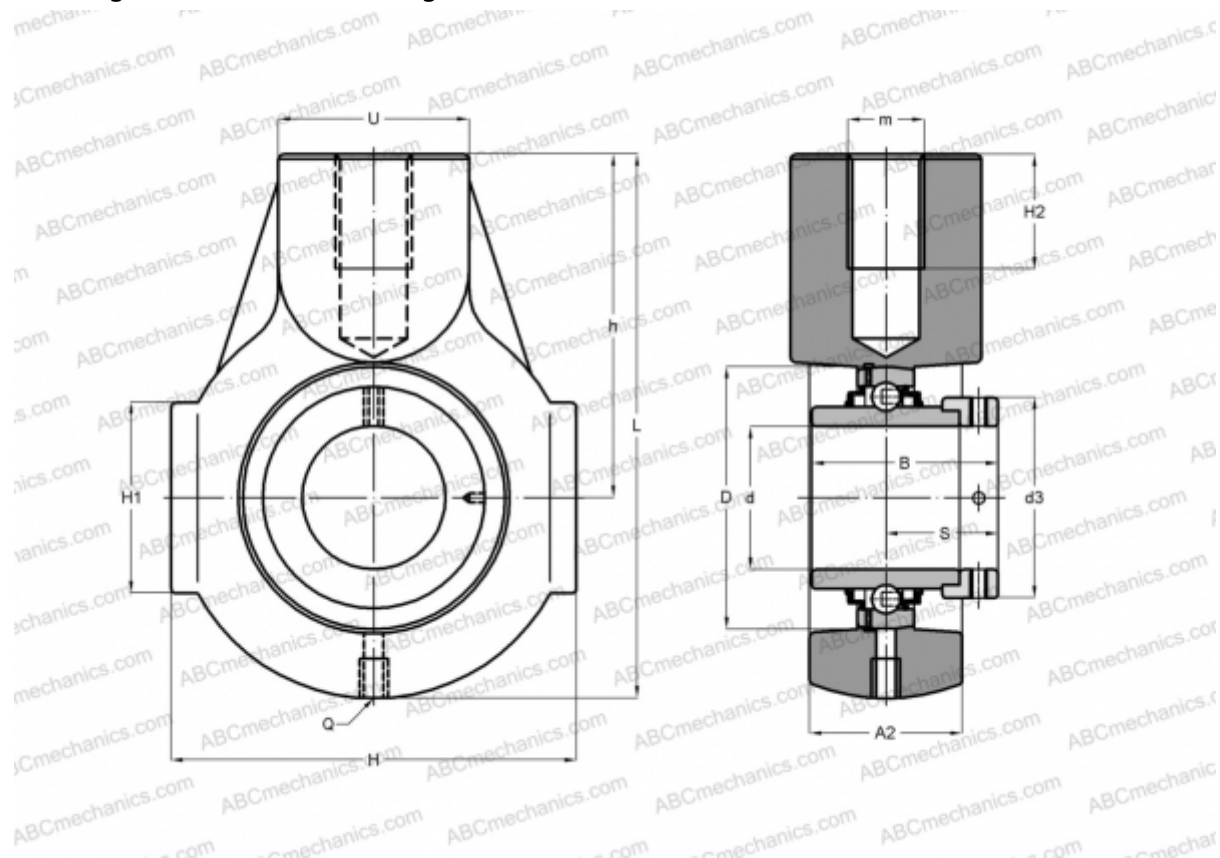


## EXEHE201 ABC

Ball bearing units

TYPE: Housing units, Take-up housing units, Cast iron housing, Radial insert ball bearing with eccentric locking collar, With inner ring extended on both sides, bracket



### Technical specification

#### DIMENSIONS, MM

d	12,000
D	47,000
B	43,500
L	91,000
H	65,000
H2	21,000
A2	25,000
H1	38,000
S	17,000
d3	33,300
U	30,000
h	58,000
Q	R1/8"

Bearing	EX201
Housing	EHE204

**MANUFACTURER** [ABC](#)

**INTERCHANGE** [SNR](#) [EXEHE201](#)

**WEIGHT, KG** 0,800