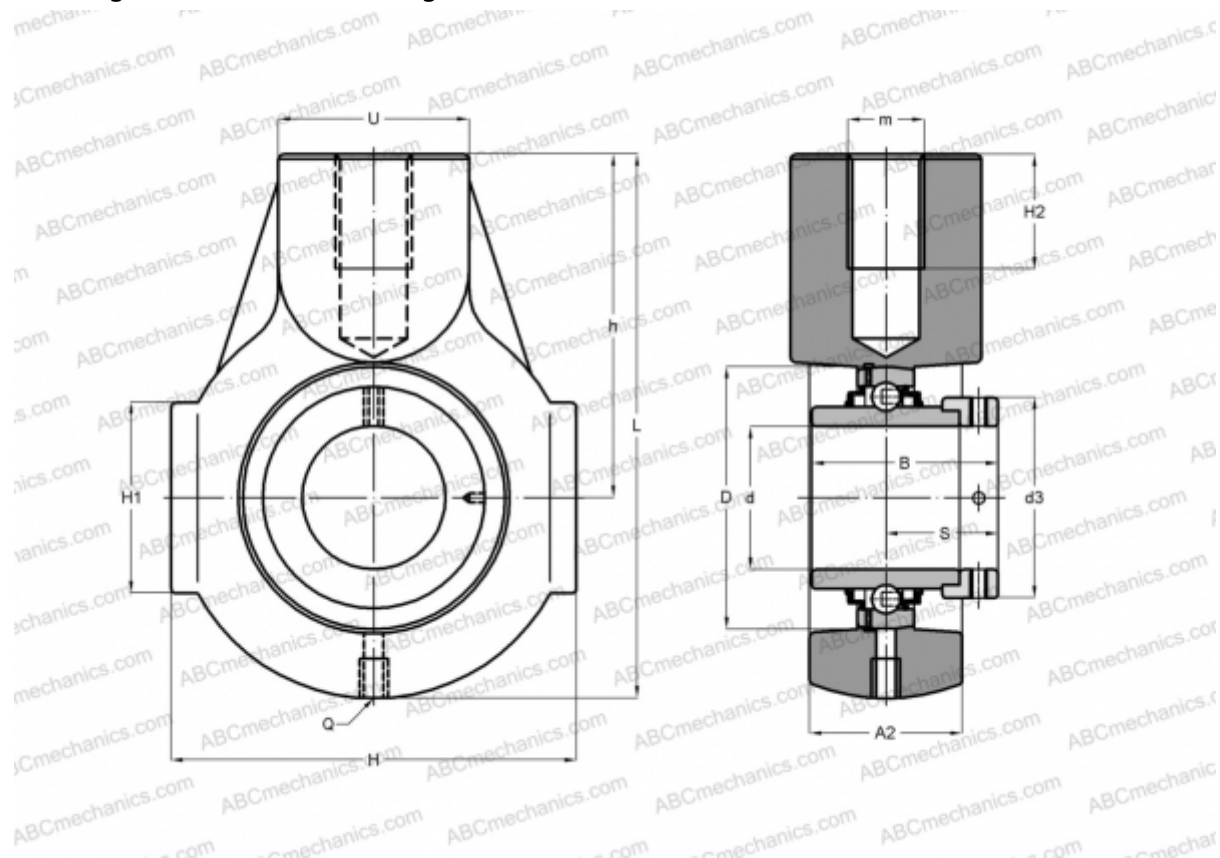


EXEHE202 ABC

Ball bearing units

TYPE: Housing units, Take-up housing units, Cast iron housing, Radial insert ball bearing with eccentric locking collar, With inner ring extended on both sides, bracket



Technical specification

DIMENSIONS, MM

d	15,000
D	47,000
B	43,500
L	91,000
H	65,000
H2	21,000
A2	25,000
H1	38,000
S	17,000
d3	33,300
U	30,000
h	58,000
Q	R1/8"

Bearing	EX202
Housing	EHE204

MANUFACTURER [ABC](#)

INTERCHANGE [SNR](#) [EXEHE202](#)

WEIGHT, KG 0,800