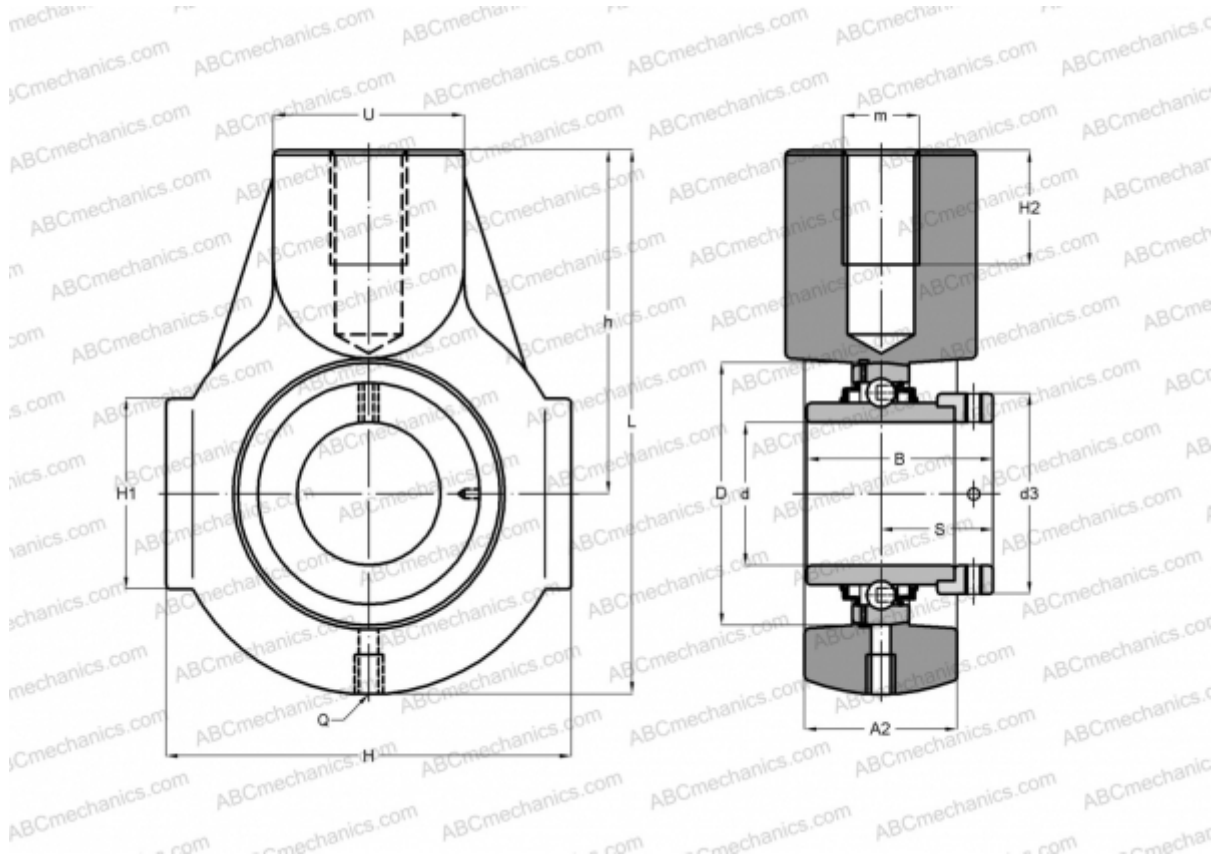


RHE20 INA

Ball bearing units

TYPE: Housing units, Take-up housing units, Cast iron housing, Radial insert ball bearing with eccentric locking collar, With inner ring extended on both sides, bracket



Technical specification

DIMENSIONS, MM

d	20,000
D	47,000
B	43,700
L	91,000
H	65,000
H2	21,000
A2	25,000
H1	38,000
S	26,600
d3	33,000
U	30,000
h	58,000
Q	Rp1/8

Bearing	GE20-KRR-B
Housing	GG.HE04

MANUFACTURER

[INA](#)

INTERCHANGE

ABC	EXEHE204
SNR	EXEHE204

CALCULATION DATA

Basic dynamic load rating, C	12,800 kN
Basic static load rating, Co	6,600 kN

WEIGHT, KG 0,580