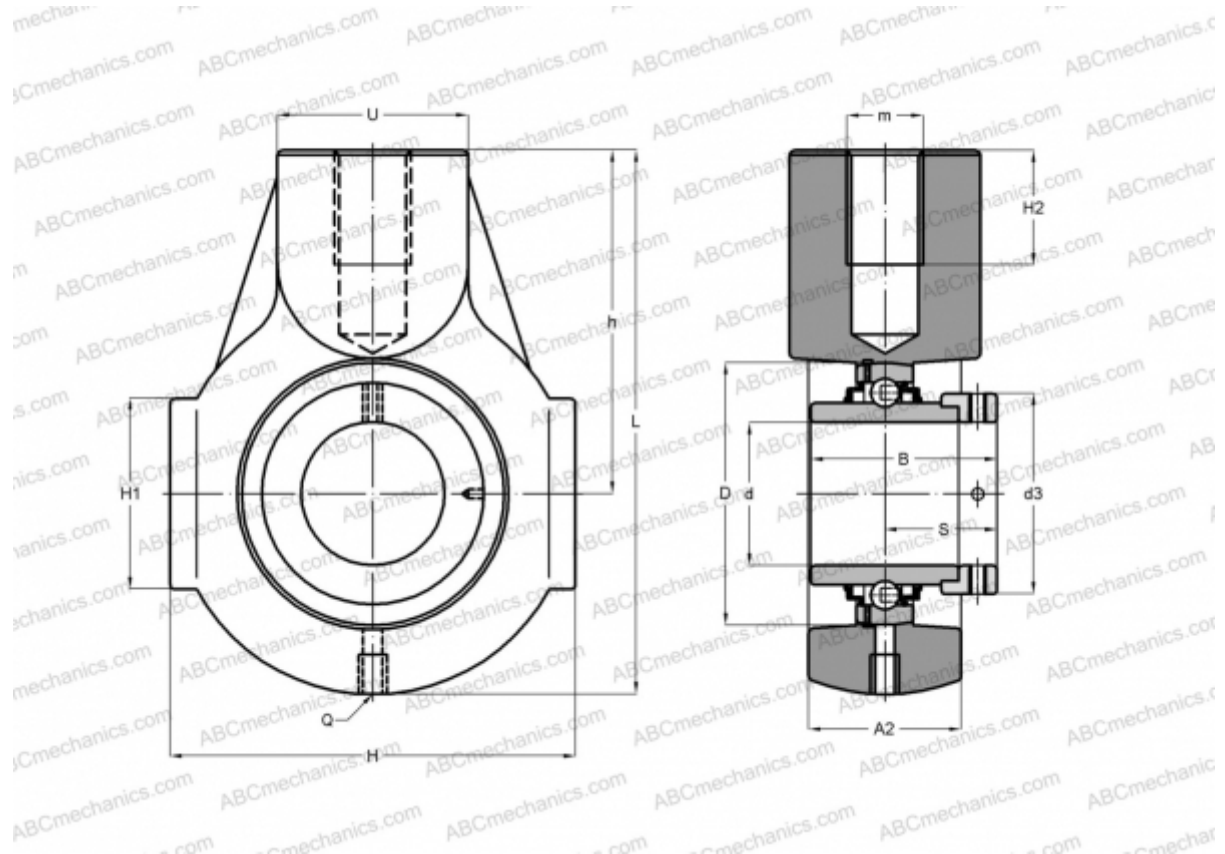


## EXEHE205 SNR

Ball bearing units

TYPE: Housing units, Take-up housing units, Cast iron housing, Radial insert ball bearing with eccentric locking collar, With inner ring extended on both sides, bracket



### Technical specification

#### DIMENSIONS, MM

d	25,000
D	52,000
B	44,300
L	99,000
H	70,000
H2	22,000
A2	28,000
H1	38,000
S	17,400
d3	38,100
U	35,000
h	64,000
Q	R1/8"

**WEIGHT, KG** 1,200

Bearing	EX205
Housing	EHE205

#### MANUFACTURER

[SNR](#)

#### INTERCHANGE

ABC	<a href="#">EXEHE205</a>
INA	<a href="#">RHE25</a>

#### CALCULATION DATA

Basic dynamic load rating, C	14,000 kN
Basic static load rating, Co	7,880 kN
Operating temperature min	-20 °C
Operating temperature max	110 °C