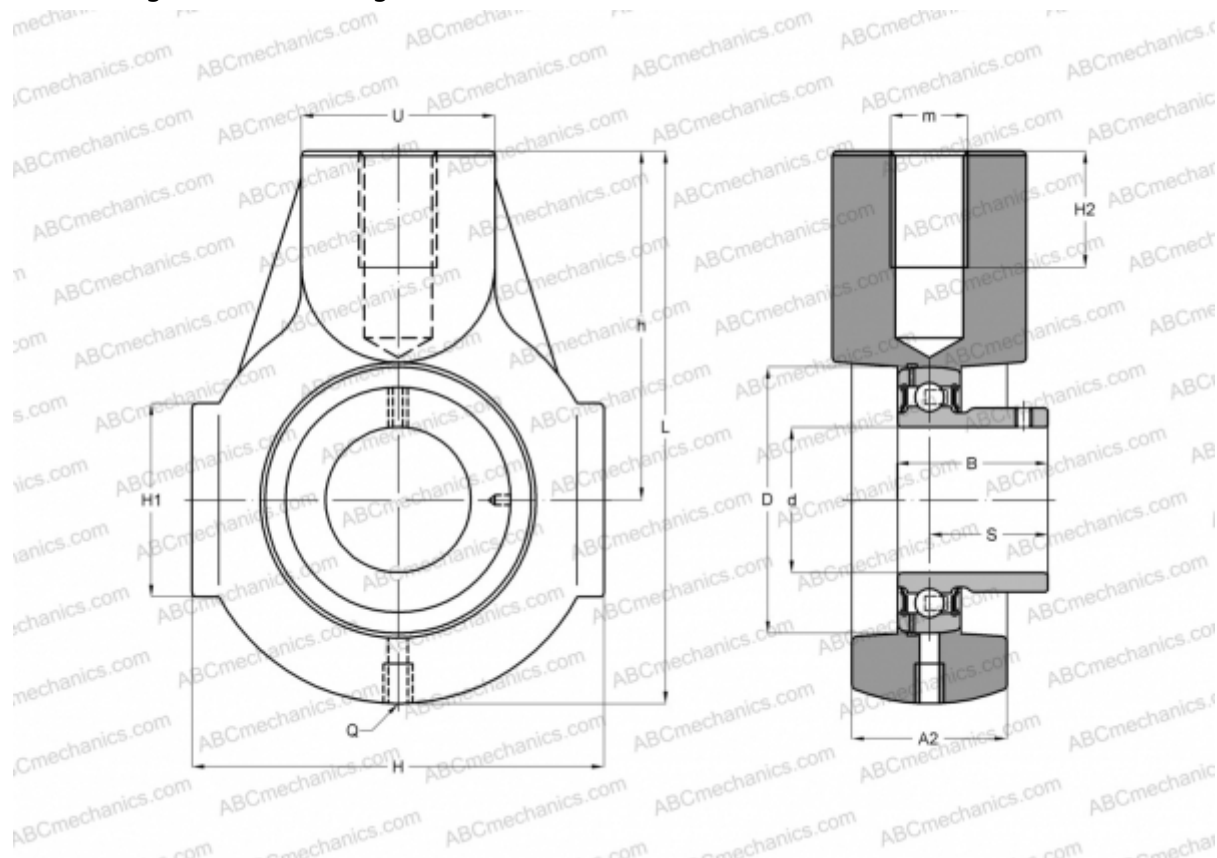


## USEHE201 SNR

Ball bearing units

TYPE: Housing units, Take-up housing units, Cast iron housing, Radial insert ball bearing with grub screws in inner ring, With inner ring extended at one side, bracket



### Technical specification

#### DIMENSIONS, MM

d	12,000
D	40,000
B	22,000
L	91,000
H	65,000
H2	21,000
A2	25,000
H1	38,000
S	6,000
U	30,000
h	58,000
Q	M6x1

**WEIGHT, KG** 0,400

Bearing	US201
Housing	EHE203

**MANUFACTURER** [SNR](#)

**INTERCHANGE**  
ABC [USEHE201](#)

#### CALCULATION DATA

Basic dynamic load rating, C	9,550 kN
Basic static load rating, Co	4,780 kN
Operating temperature min	-20 °C
Operating temperature max	110 °C