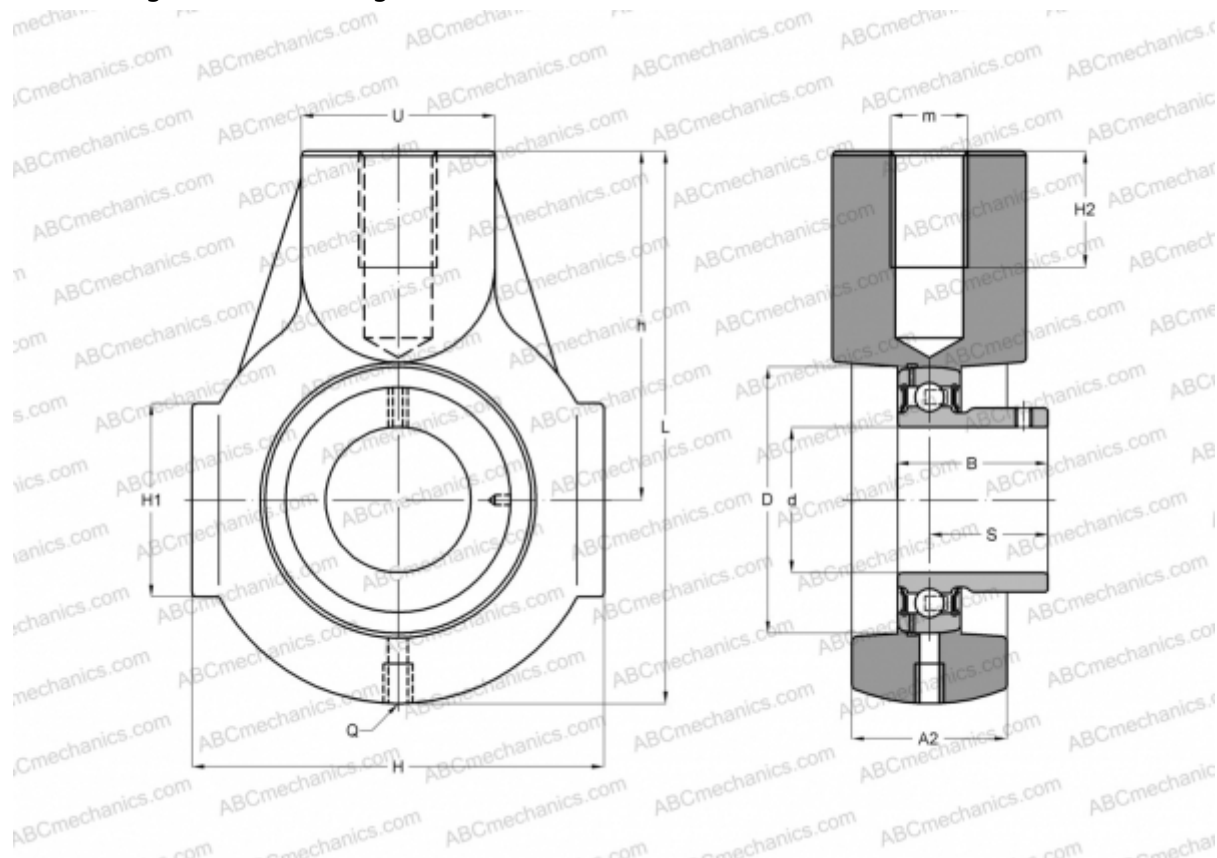


USEHE203 ABC

Ball bearing units

TYPE: Housing units, Take-up housing units, Cast iron housing, Radial insert ball bearing with grub screws in inner ring, With inner ring extended at one side, bracket



Technical specification

DIMENSIONS, MM

d	17,000
D	40,000
B	22,000
L	91,000
H	65,000
H2	21,000
A2	25,000
H1	38,000
S	6,000
U	30,000
h	58,000
Q	M6x1

WEIGHT, KG 0,500

Bearing	US203
Housing	EHE203

MANUFACTURER [ABC](#)

INTERCHANGE
SNR [USEHE203](#)