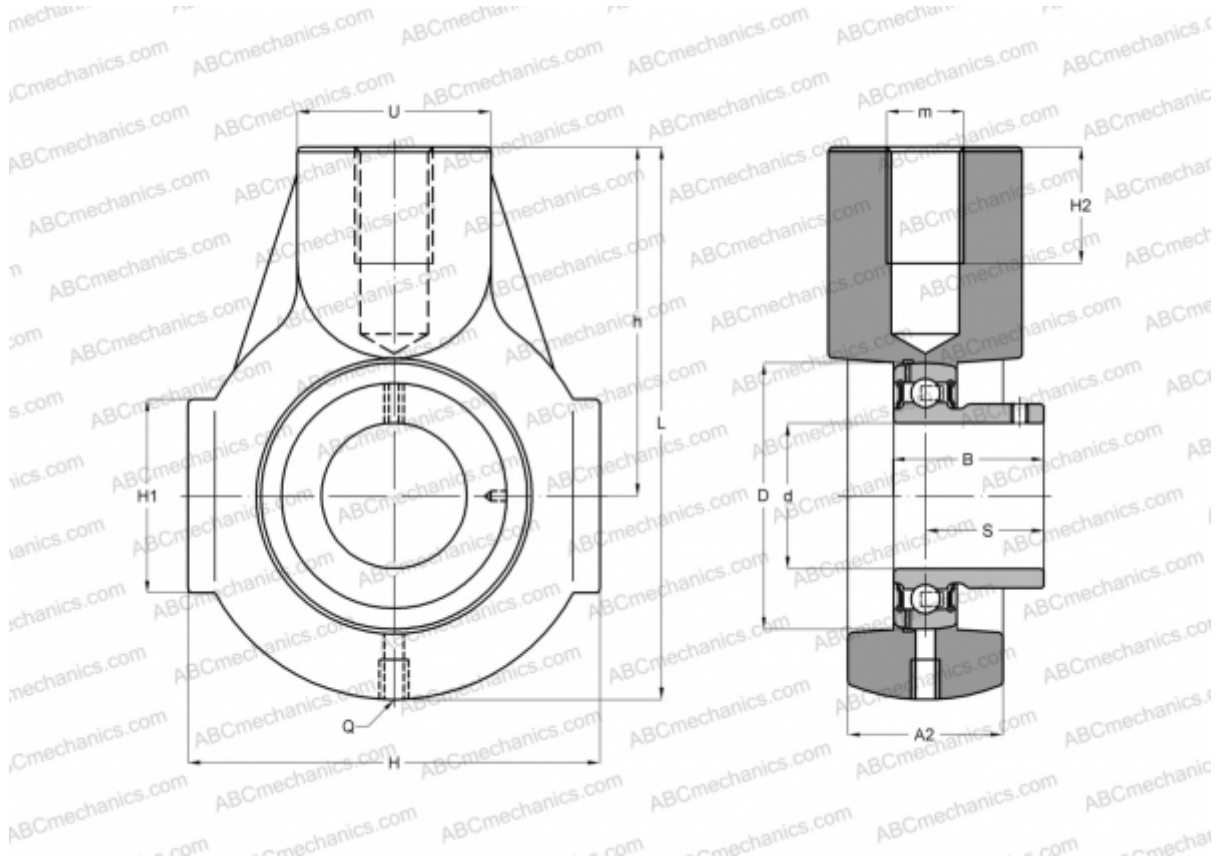


USEHE204 ABC

Ball bearing units

TYPE: Housing units, Take-up housing units, Cast iron housing, Radial insert ball bearing with grub screws in inner ring, With inner ring extended at one side, bracket



Technical specification

DIMENSIONS, MM

d	20,000
D	47,000
B	25,000
L	91,000
H	65,000
H2	21,000
A2	25,000
H1	38,000
S	7,000
U	30,000
h	58,000
Q	R1/8"

WEIGHT, KG 0,700

Bearing	US204
Housing	EHE204

MANUFACTURER

[ABC](#)

INTERCHANGE

INA	PHEY20
SNR	USEHE204