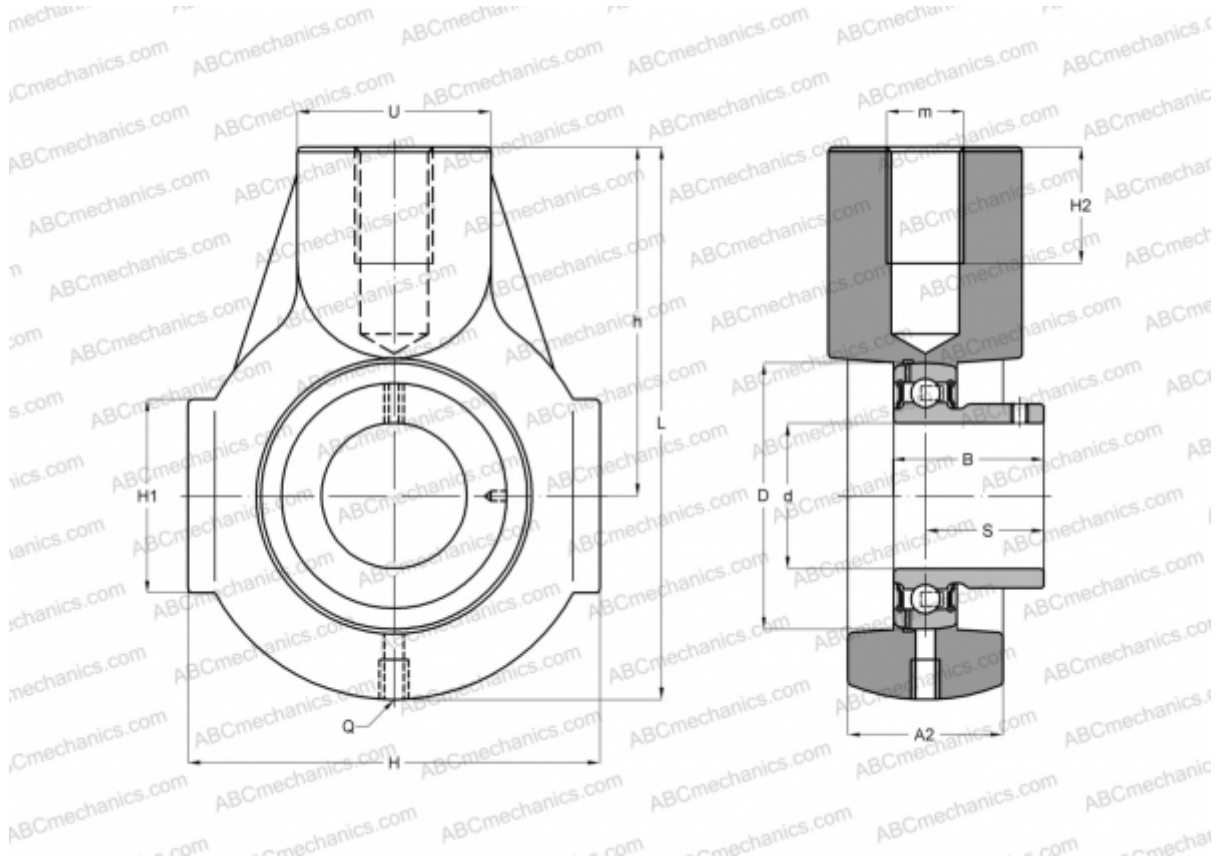


USEHE204 SNR

Ball bearing units

TYPE: Housing units, Take-up housing units, Cast iron housing, Radial insert ball bearing with grub screws in inner ring, With inner ring extended at one side, bracket



Technical specification

DIMENSIONS, MM

d	20,000
D	47,000
B	25,000
L	91,000
H	65,000
H2	21,000
A2	25,000
H1	38,000
S	7,000
U	30,000
h	58,000
Q	R1/8"

WEIGHT, KG 0,700

Bearing	US204
Housing	EHE204

MANUFACTURER

[SNR](#)

INTERCHANGE

ABC	USEHE204
INA	PHEY20

CALCULATION DATA

Basic dynamic load rating, C	12,800 kN
Basic static load rating, Co	6,650 kN
Operating temperature min	-20 °C
Operating temperature max	110 °C