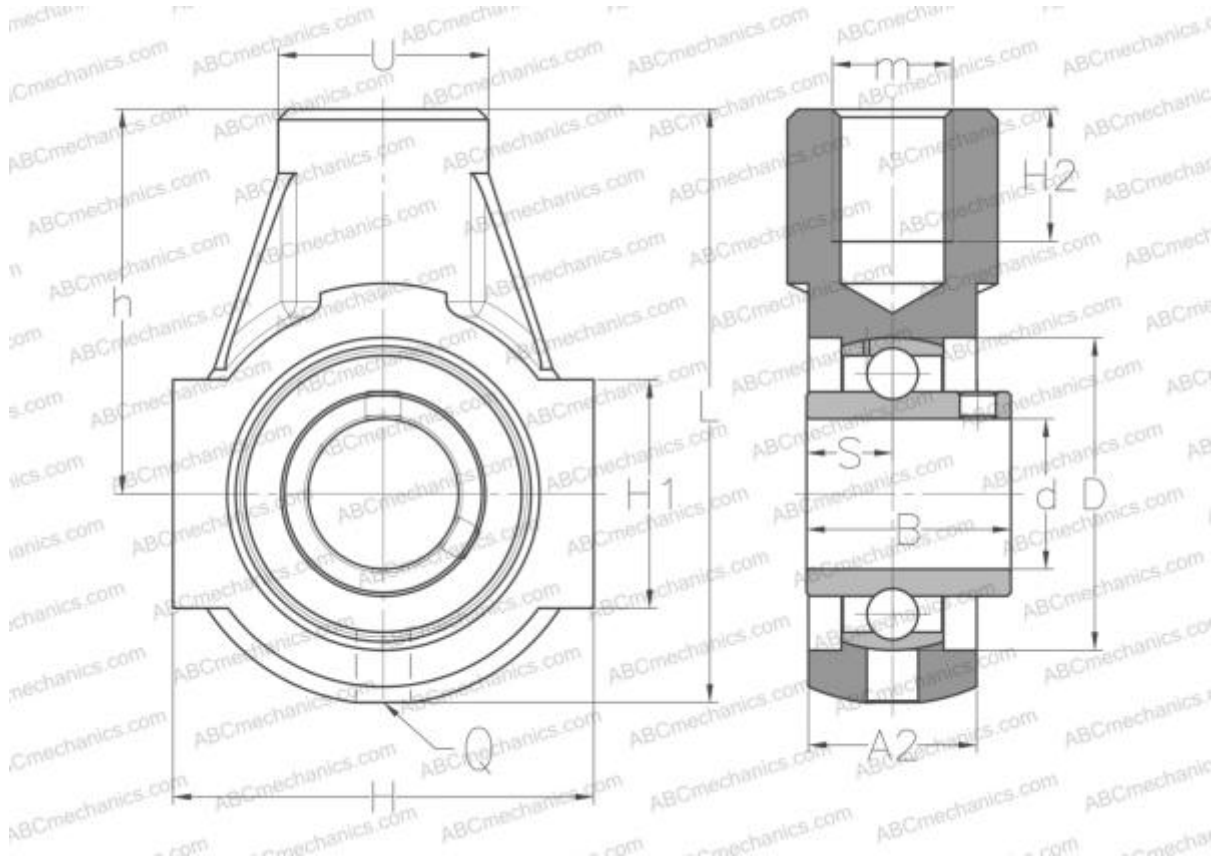


## UCEHE202 ABC

Ball bearing units

TYPE: Housing units, Take-up housing units, Cast iron housing, Radial insert ball bearing with grub screws in inner ring, With inner ring extended on both sides, bracket



### Technical specification

#### DIMENSIONS, MM

d	15,000
D	47,000
B	31,000
L	91,000
H	65,000
H2	21,000
A2	25,000
H1	38,000
S	12,700
U	30,000
h	58,000
m	M16
Q	R1/8"

**WEIGHT, KG** 0,800

Bearing	UC202
Housing	EHE204

#### MANUFACTURER

[ABC](#)

#### INTERCHANGE

SNR	<a href="#">UCEHE202</a>
SLB	<a href="#">UCHA202</a>
FYH	<a href="#">UCHA202</a>
NTN	<a href="#">UCHB 202 D1</a>