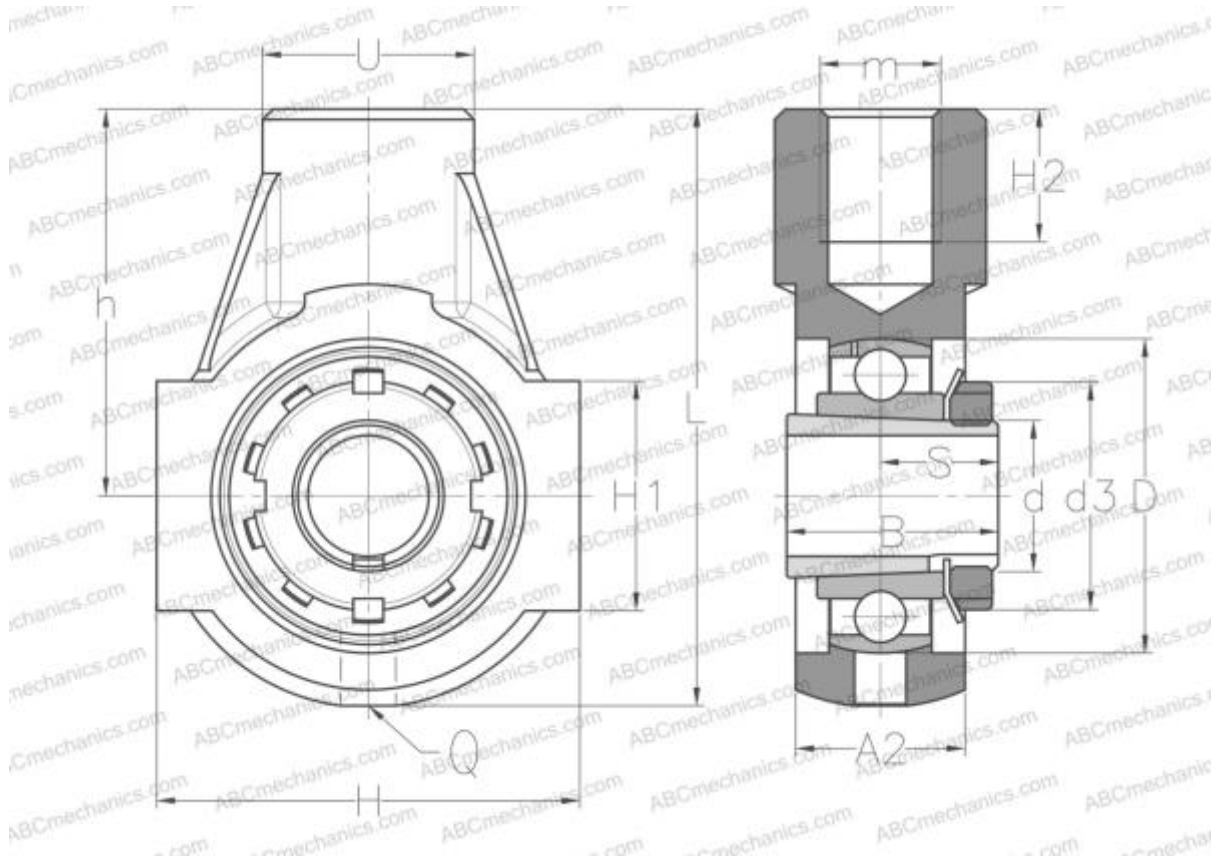


## UKEHE207H SNR

Ball bearing units

TYPE: Housing units, Take-up housing units, Cast iron housing, Radial insert ball bearing with adapter sleeve, With inner ring extended on both sides, bracket



### Technical specification

#### DIMENSIONS, MM

d	30,000
D	72,000
B	43,000
L	122,000
H	90,000
H2	24,000
A2	32,000
H1	40,000
S	22,500
d3	52,000
U	40,000
h	76,000
Q	R1/8"

Bearing	UK207 +
Housing	EHE207
Adapter sleeve	H2307

#### MANUFACTURER

[SNR](#)

#### INTERCHANGE

ABC	<a href="#">UKEHE207H</a>
-----	---------------------------

#### CALCULATION DATA

Basic dynamic load rating, C	25,700 kN
Basic static load rating, Co	15,200 kN
Operating temperature min	-20 °C
Operating temperature max	110 °C

WEIGHT, KG	1,600
------------	-------