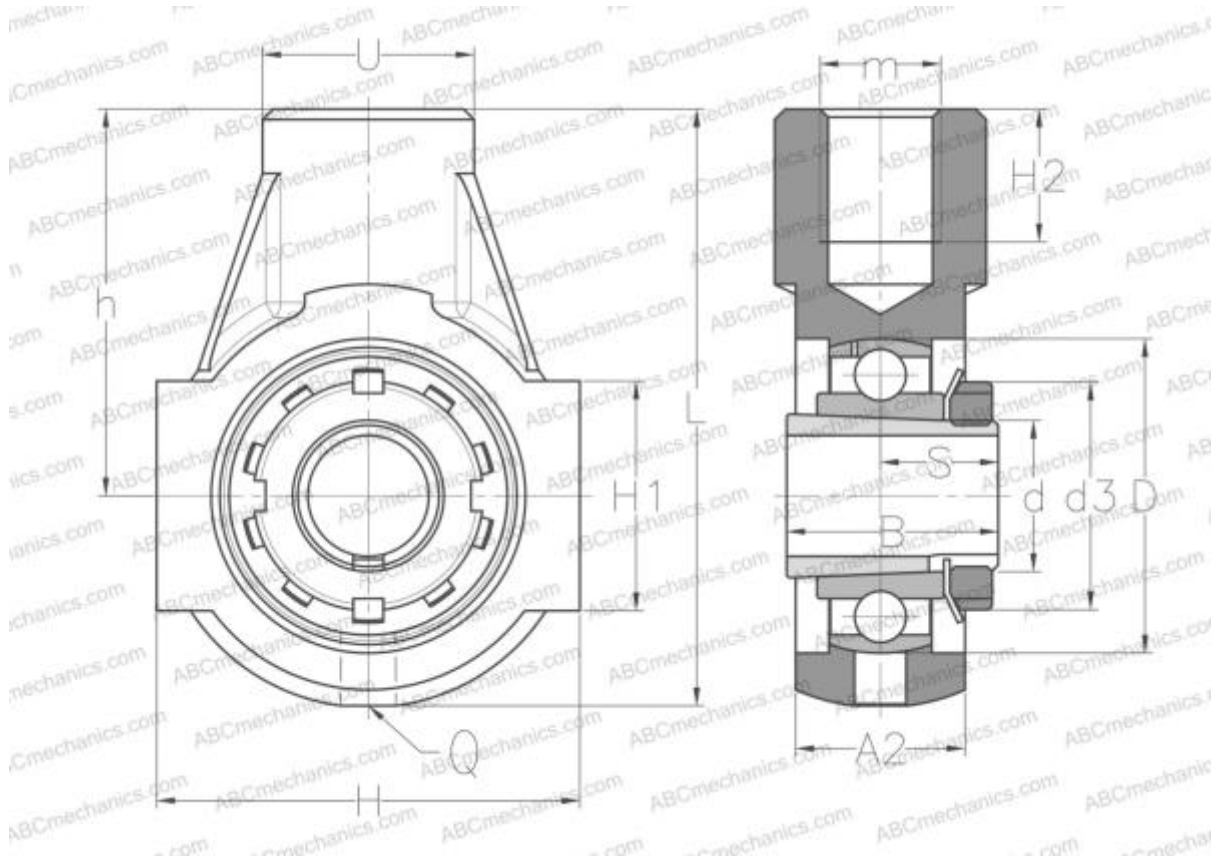


UKEHE208H ABC

Ball bearing units

TYPE: Housing units, Take-up housing units, Cast iron housing, Radial insert ball bearing with adapter sleeve, With inner ring extended on both sides, bracket



Technical specification

DIMENSIONS, MM

d	35,000
D	80,000
B	46,000
L	135,000
H	100,000
H2	24,000
A2	36,000
H1	45,000
S	24,500
d3	58,000
U	40,000
h	85,000
Q	R1/8"

Bearing	UK208 +
Housing	EHE208
Adapter sleeve	H2308

MANUFACTURER

[ABC](#)

INTERCHANGE

SNR	UKEHE208H
-----	---------------------------

WEIGHT, KG 1,900