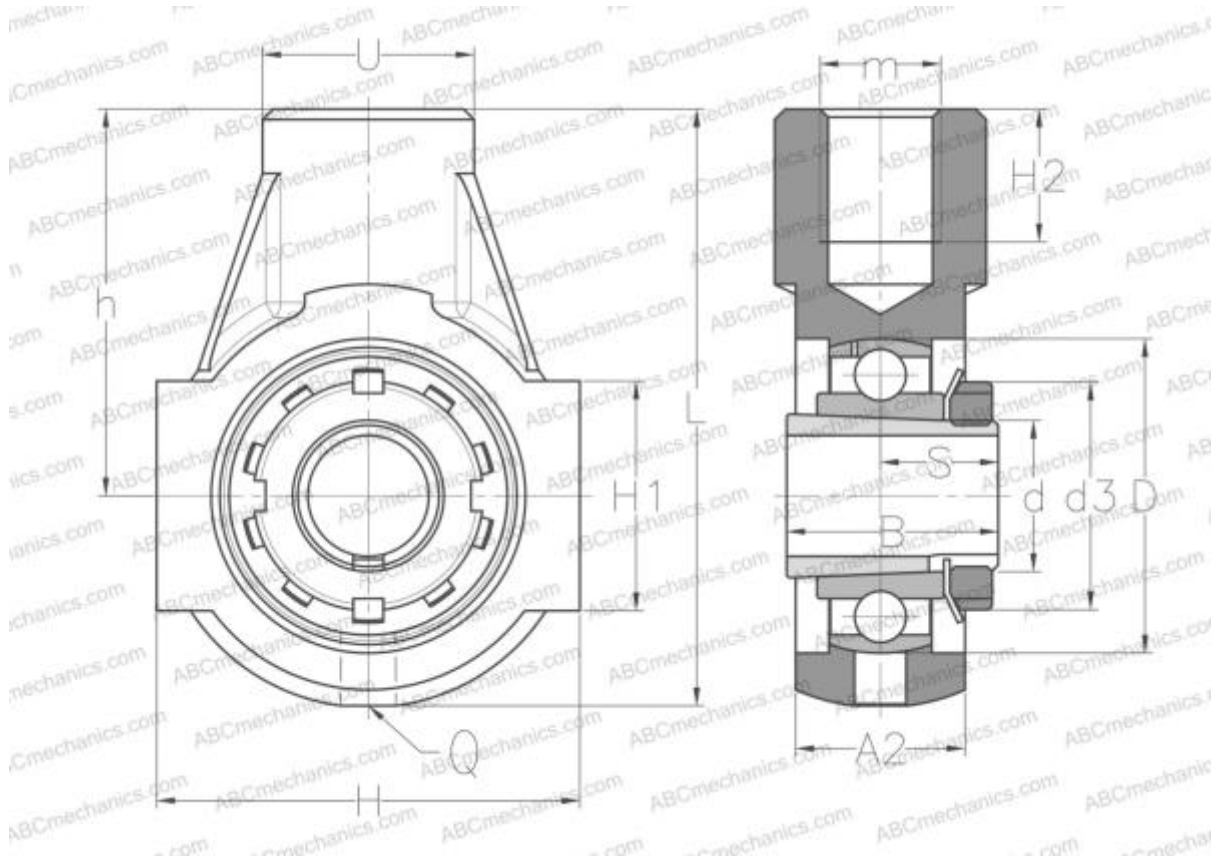


UKEHE209H SNR

Ball bearing units

TYPE: Housing units, Take-up housing units, Cast iron housing, Radial insert ball bearing with adapter sleeve, With inner ring extended on both sides, bracket



Technical specification

DIMENSIONS, MM

d	40,000
D	85,000
B	50,000
L	145,000
H	110,000
H2	24,000
A2	40,000
H1	45,000
S	26,000
d3	65,000
U	40,000
h	90,000
Q	R1/8"

WEIGHT, KG 2,000

Bearing	UK209 +
Housing	EHE209
Adapter sleeve	H2309

MANUFACTURER

[SNR](#)

INTERCHANGE

ABC [UKEHE209H](#)

CALCULATION DATA

Basic dynamic load rating, C	31,850 kN
Basic static load rating, Co	20,800 kN
Operating temperature min	-20 °C
Operating temperature max	110 °C