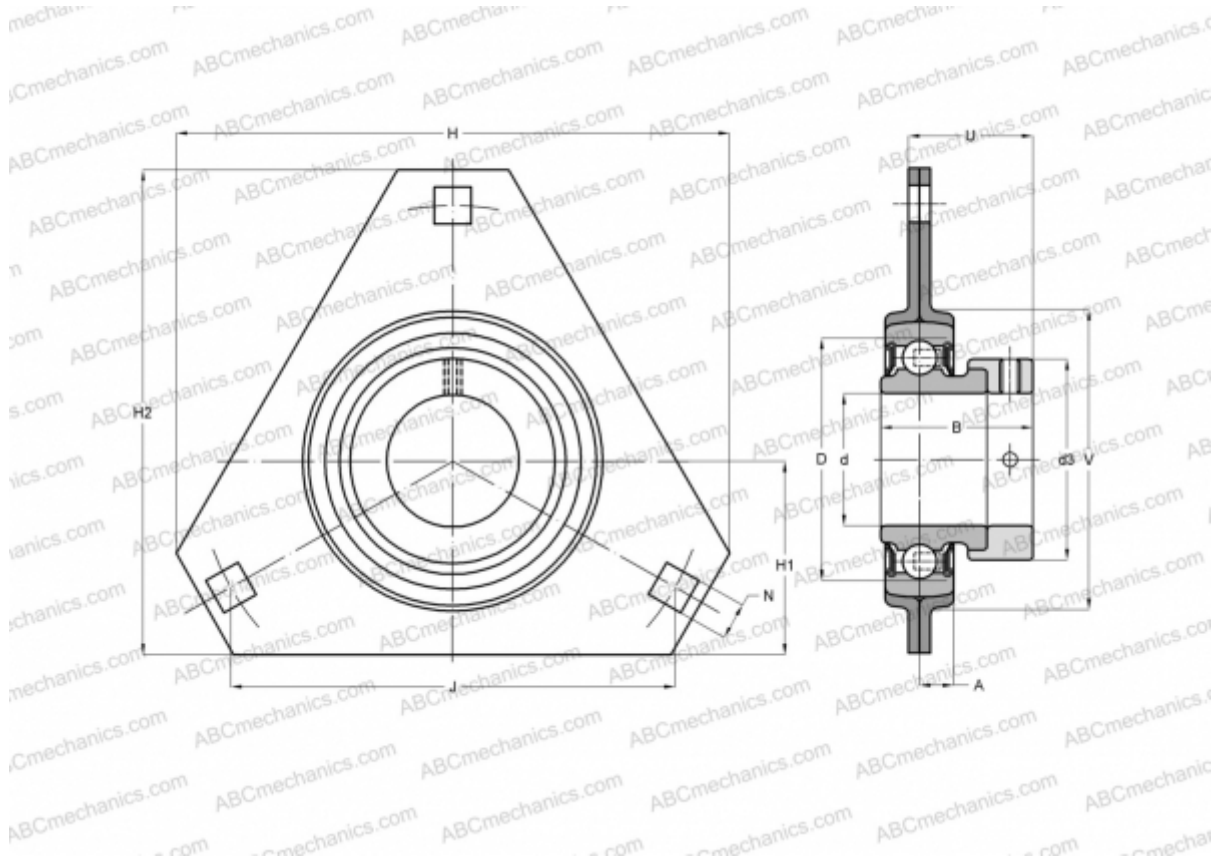


PFD 17 FM ABC

Ball bearing units

TYPE: Housing units, Three-bolt flanged housing units, Sheet steel housing, Radial insert ball bearing with eccentric locking collar, With inner ring extended at one side



Technical specification

DIMENSIONS, MM

d	17,000
D	40,000
B	28,600
H	81,000
A	7,000
J	63,000
H1	29,000
N	7,100
d3	27,200
U	24,100
V	49,000

WEIGHT, KG

Bearing	0,200
	YET 203

Housing

PFD 40

MANUFACTURER

[ABC](#)

INTERCHANGE

SKF

[PFD 17 FM](#)