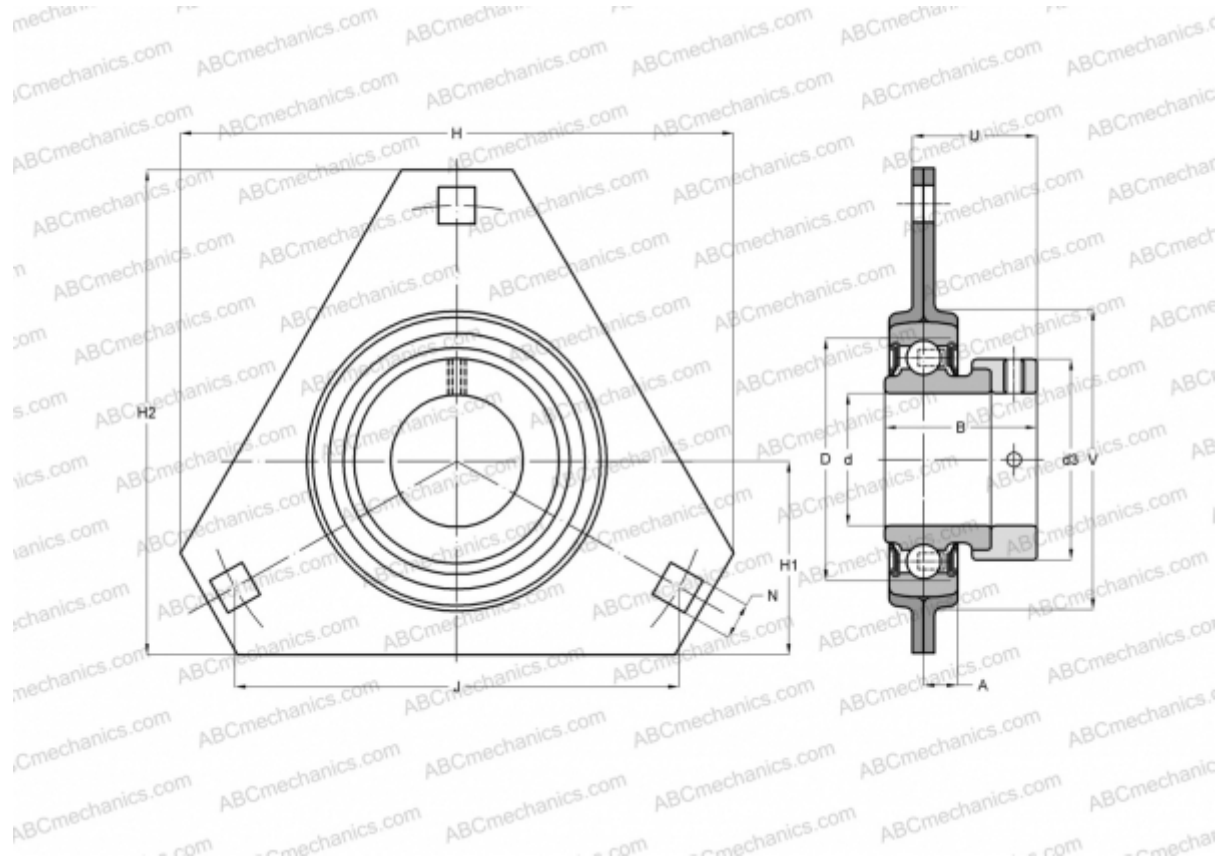


ESPFT204 ABC

Ball bearing units

TYPE: Housing units, Three-bolt flanged housing units, Sheet steel housing, Radial insert ball bearing with eccentric locking collar, With inner ring extended at one side



Technical specification

DIMENSIONS, MM

d	20,000
D	47,000
B	30,900
H	90,500
A	7,200
J	71,500
H1	33,300
N	8,700
d3	33,300
V	55,000

WEIGHT, KG

	0,300
Bearing	ES204
Housing	PFT204

MANUFACTURER

[ABC](#)

INTERCHANGE

SKF	PFD 20 FM
INA	RATR20
SNR	ESPFT204