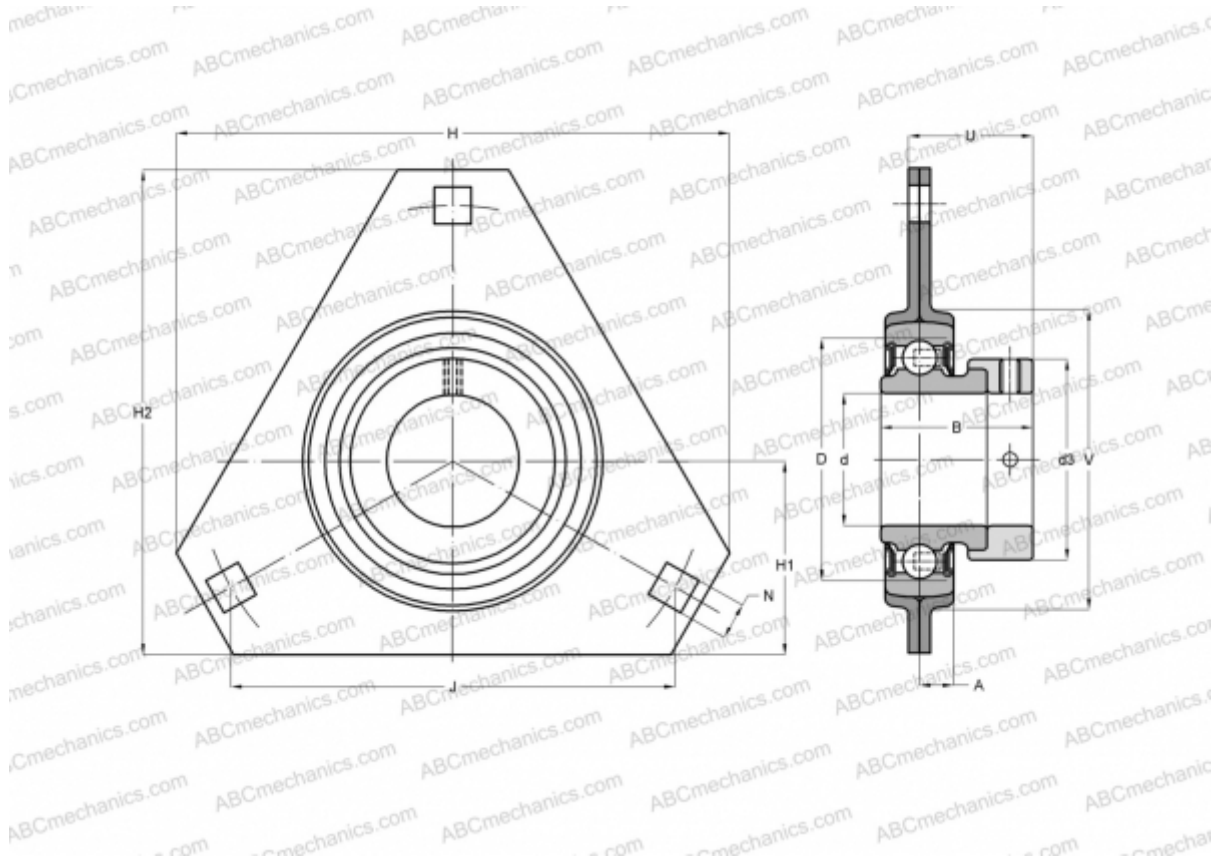


PFD 20 FM SKF

Ball bearing units

TYPE: Housing units, Three-bolt flanged housing units, Sheet steel housing, Radial insert ball bearing with eccentric locking collar, With inner ring extended at one side



Technical specification

DIMENSIONS, MM

d	20,000
D	47,000
B	31,000
H	91,000
A	8,000
J	71,500
H1	32,000
N	8,700
d3	32,400
U	25,500
V	55,000

WEIGHT, KG

	0,260
Bearing	YET 204

Housing

PFD 47

MANUFACTURER

[SKF](#)

INTERCHANGE

ABC

[ESPFT204](#)

INA

[RATR20](#)

SNR

[ESPFT204](#)

CALCULATION DATA

Basic dynamic load rating, C	12,700 kN
Basic static load rating, Co	6,550 kN
Fatigue load limit, Pu	0,280 kN