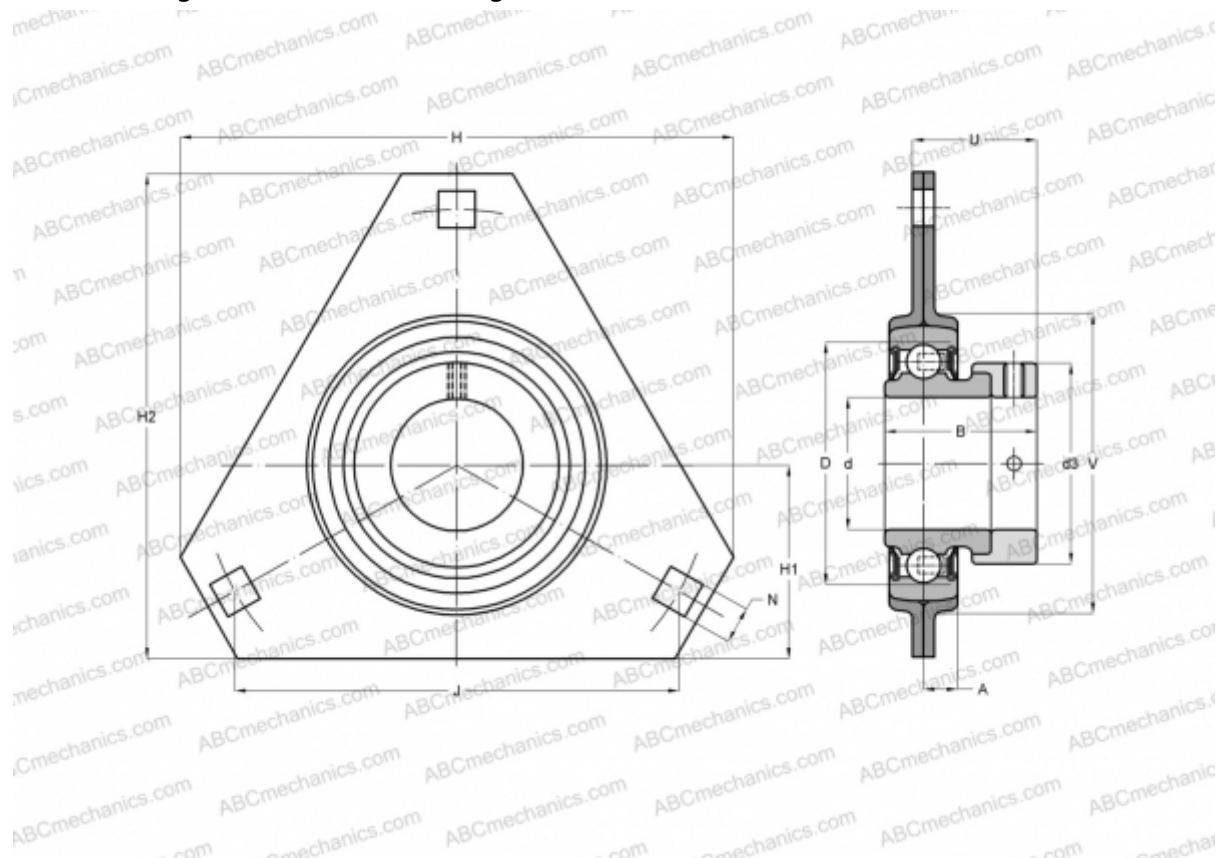


## RATR20 INA

Ball bearing units

TYPE: Housing units, Three-bolt flanged housing units, Sheet steel housing, Radial insert ball bearing with eccentric locking collar, With inner ring extended at one side



### Technical specification

#### DIMENSIONS, MM

d	20,000
D	47,000
B	31,000
H	90,500
A	8,000
H2	76,200
J	71,500
H1	33,300
N	8,700
d3	33,000
U	25,500
V	55,000

**WEIGHT, KG** 0,280

Bearing	RAE20-NPP-B
Housing	FLAN47-MSTR

#### MANUFACTURER

x 2  
[INA](#)

#### INTERCHANGE

ABC	<a href="#">ESPFT204</a>
SKF	<a href="#">PFD 20 FM</a>
SNR	<a href="#">ESPFT204</a>

#### CALCULATION DATA

Basic dynamic load rating, C	12,800 kN
Basic static load rating, Co	6,600 kN