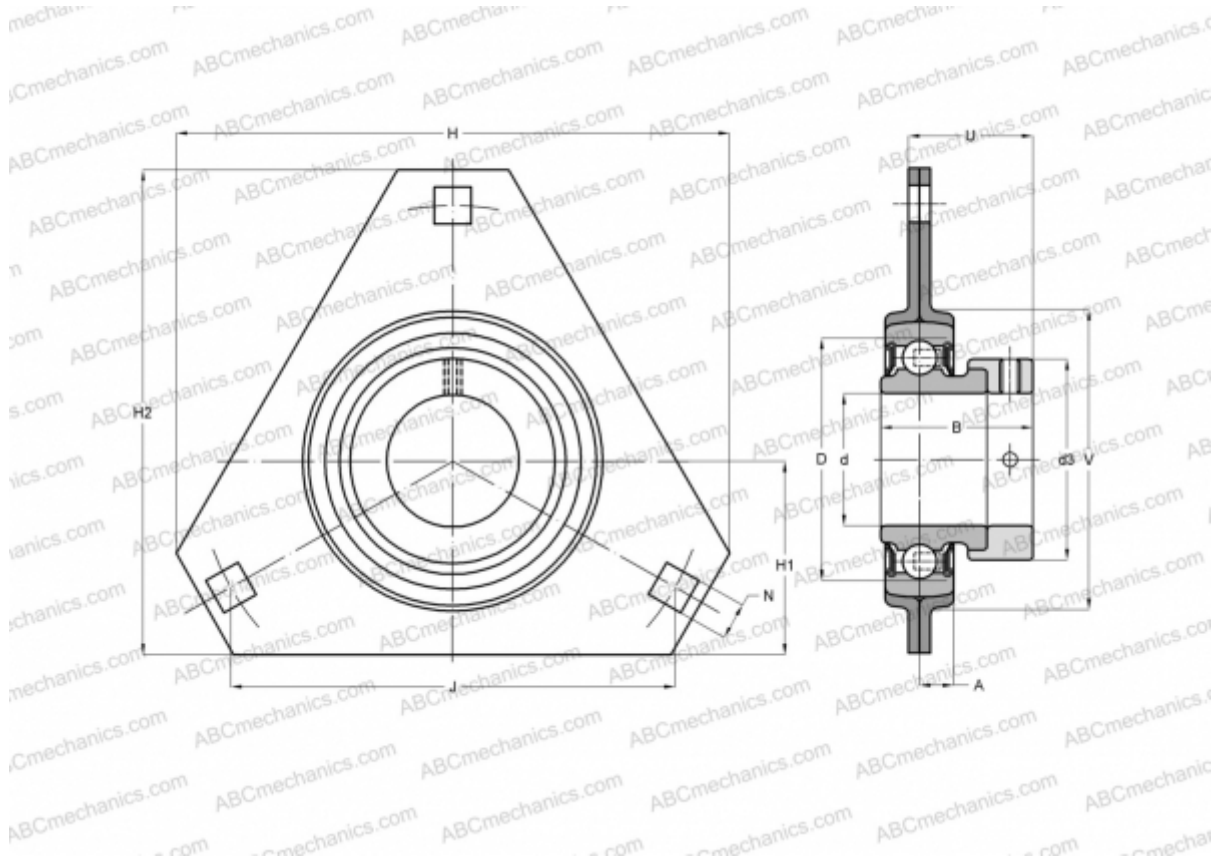


## ESPFT204 SNR

Ball bearing units

TYPE: Housing units, Three-bolt flanged housing units, Sheet steel housing, Radial insert ball bearing with eccentric locking collar, With inner ring extended at one side



### Technical specification

#### DIMENSIONS, MM

d	20,000
D	47,000
B	30,900
H	90,500
A	7,200
J	71,500
H1	33,300
N	8,700
d3	33,300
V	55,000

#### WEIGHT, KG

	0,300
Bearing	ES204
Housing	PFT204

#### MANUFACTURER

[SNR](#)

#### INTERCHANGE

ABC	<a href="#">ESPFT204</a>
SKF	<a href="#">PFD 20 FM</a>
INA	<a href="#">RATR20</a>

#### CALCULATION DATA

Basic dynamic load rating, C	12,800 kN
Basic static load rating, Co	6,650 kN
Operating temperature min	-20 °C
Operating temperature max	110 °C