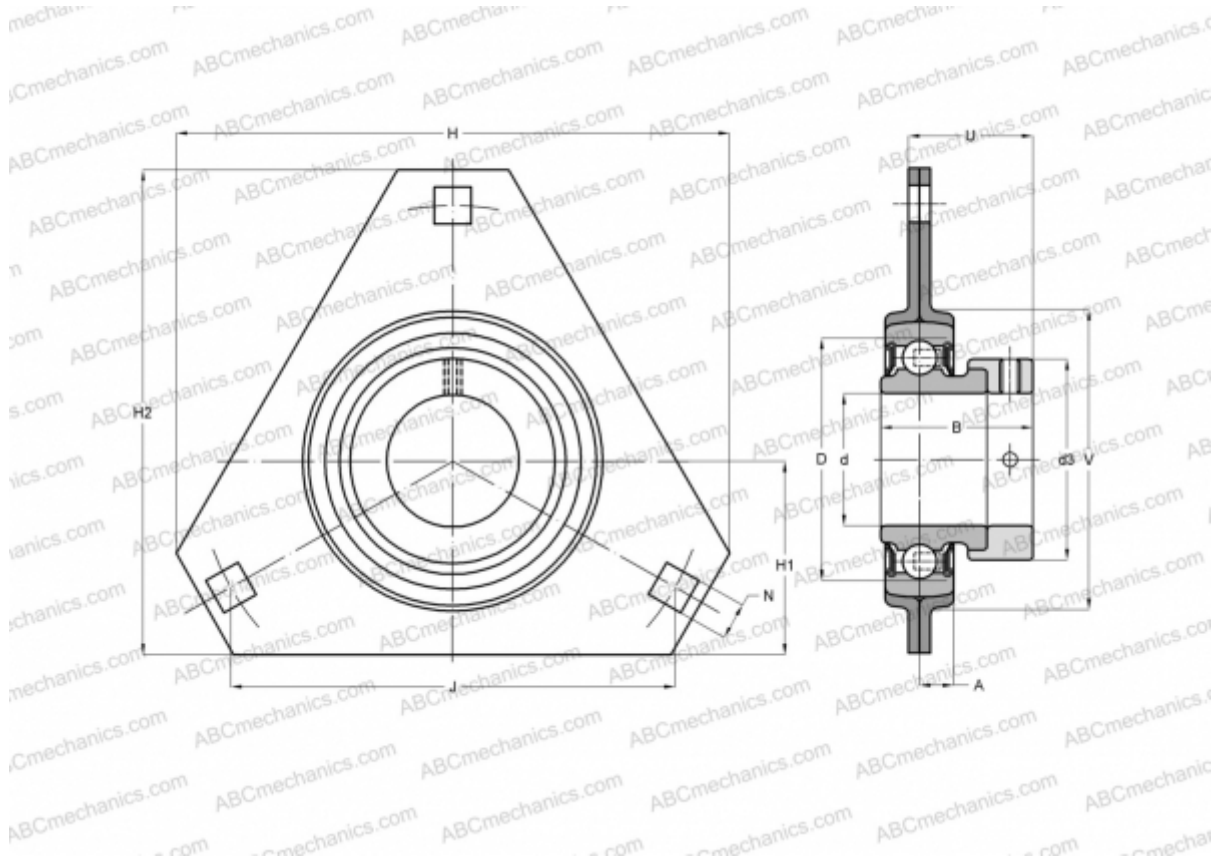


PFD 25 FM SKF

Ball bearing units

TYPE: Housing units, Three-bolt flanged housing units, Sheet steel housing, Radial insert ball bearing with eccentric locking collar, With inner ring extended at one side



Technical specification

DIMENSIONS, MM

| | |
|----|--------|
| d | 25,000 |
| D | 52,000 |
| B | 31,000 |
| H | 95,000 |
| A | 9,000 |
| J | 76,000 |
| H1 | 34,000 |
| N | 8,700 |
| d3 | 37,400 |
| U | 25,500 |
| V | 60,000 |

WEIGHT, KG

| | |
|---------|---------|
| | 0,300 |
| Bearing | YET 205 |

Housing

PFD 52

MANUFACTURER

[SKF](#)

INTERCHANGE

| | |
|-----|--------------------------|
| ABC | ESPFT205 |
| INA | RATR25 |
| SNR | ESPFT205 |

CALCULATION DATA

| | |
|------------------------------|-----------|
| Basic dynamic load rating, C | 14,000 kN |
| Basic static load rating, Co | 7,800 kN |
| Fatigue load limit, Pu | 0,335 kN |