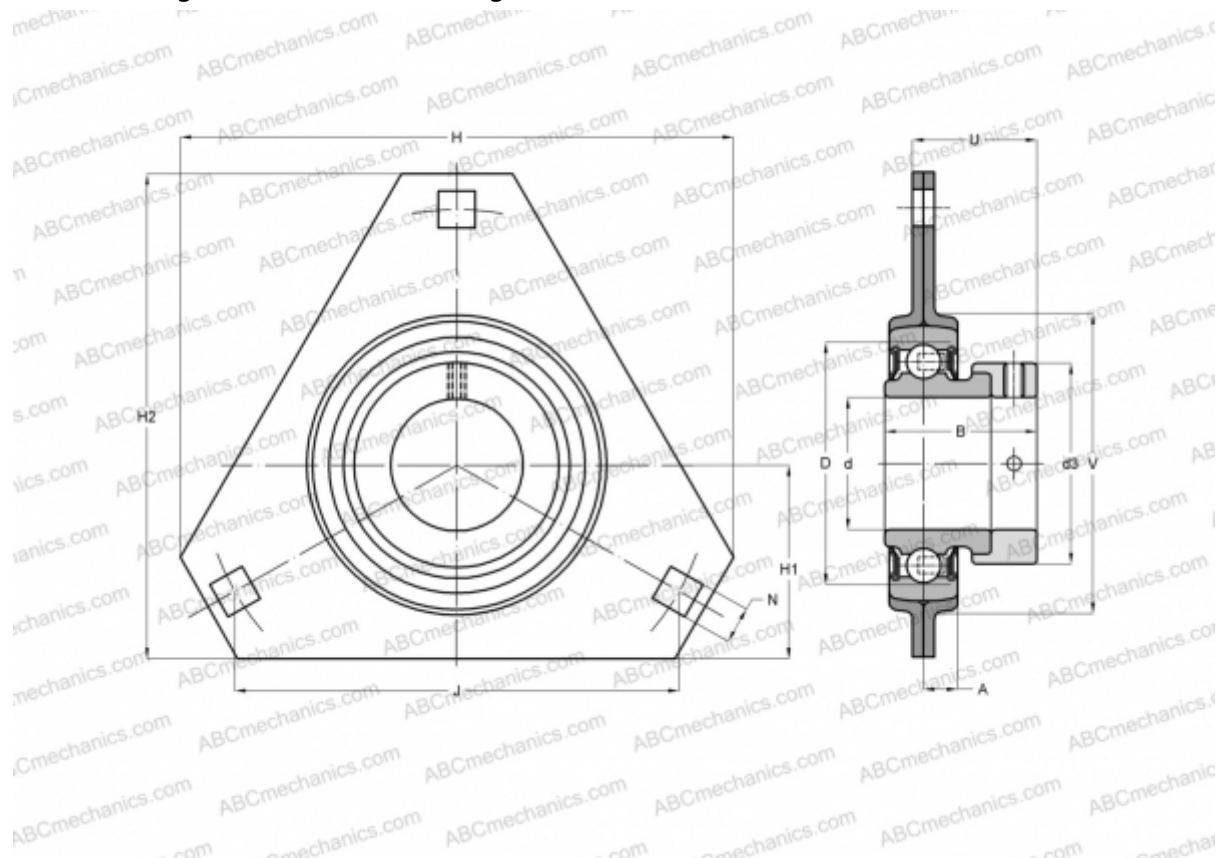


## ESPFT205 SNR

Ball bearing units

TYPE: Housing units, Three-bolt flanged housing units, Sheet steel housing, Radial insert ball bearing with eccentric locking collar, With inner ring extended at one side



### Technical specification

#### DIMENSIONS, MM

d	25,000
D	52,000
B	30,900
H	95,200
A	8,700
J	76,000
H1	34,200
N	8,700
d3	38,100
V	60,000

#### WEIGHT, KG

Bearing	ES205
Housing	PFT205

#### MANUFACTURER

[SNR](#)

#### INTERCHANGE

ABC	<a href="#">ESPFT205</a>
SKF	<a href="#">PFD 25 FM</a>
INA	<a href="#">RATR25</a>

#### CALCULATION DATA

Basic dynamic load rating, C	14,000 kN
Basic static load rating, Co	7,880 kN
Operating temperature min	-20 °C
Operating temperature max	110 °C