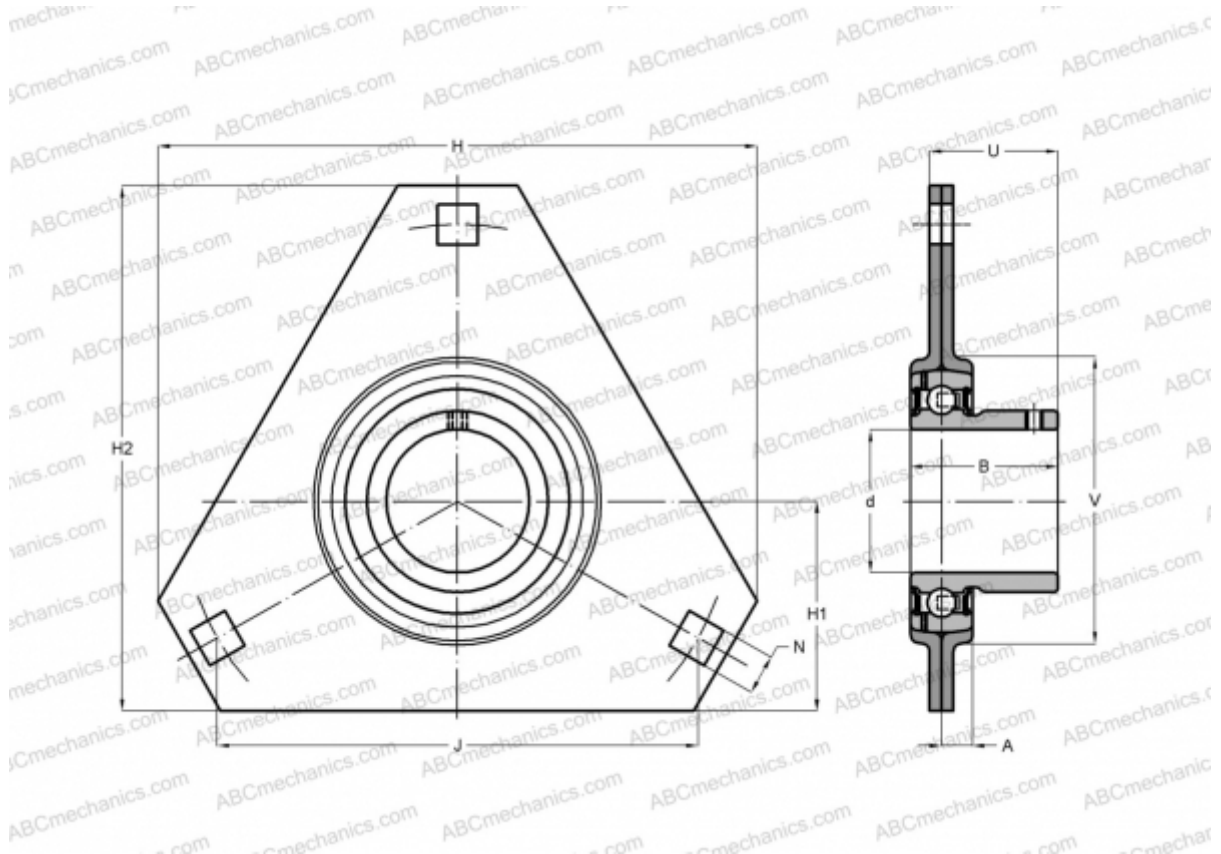


BPFT 3 ASAHI

Ball bearing units

TYPE: Housing units, Three-bolt flanged housing units, Sheet steel housing, Radial insert ball bearing with grub screws in inner ring, With inner ring extended at one side



Technical specification

DIMENSIONS, MM

d	17,000
D	40,000
B	22,000
H	81,000
A	7,000
J	63,500
H1	29,000
N	7,000
V	49,000

WEIGHT, KG 0,180

Bearing	B 3
Housing	PFT 3

MANUFACTURER

[ASAHI](#)

INTERCHANGE

ABC	PFD 17 RM
SKF	PFD 17 RM