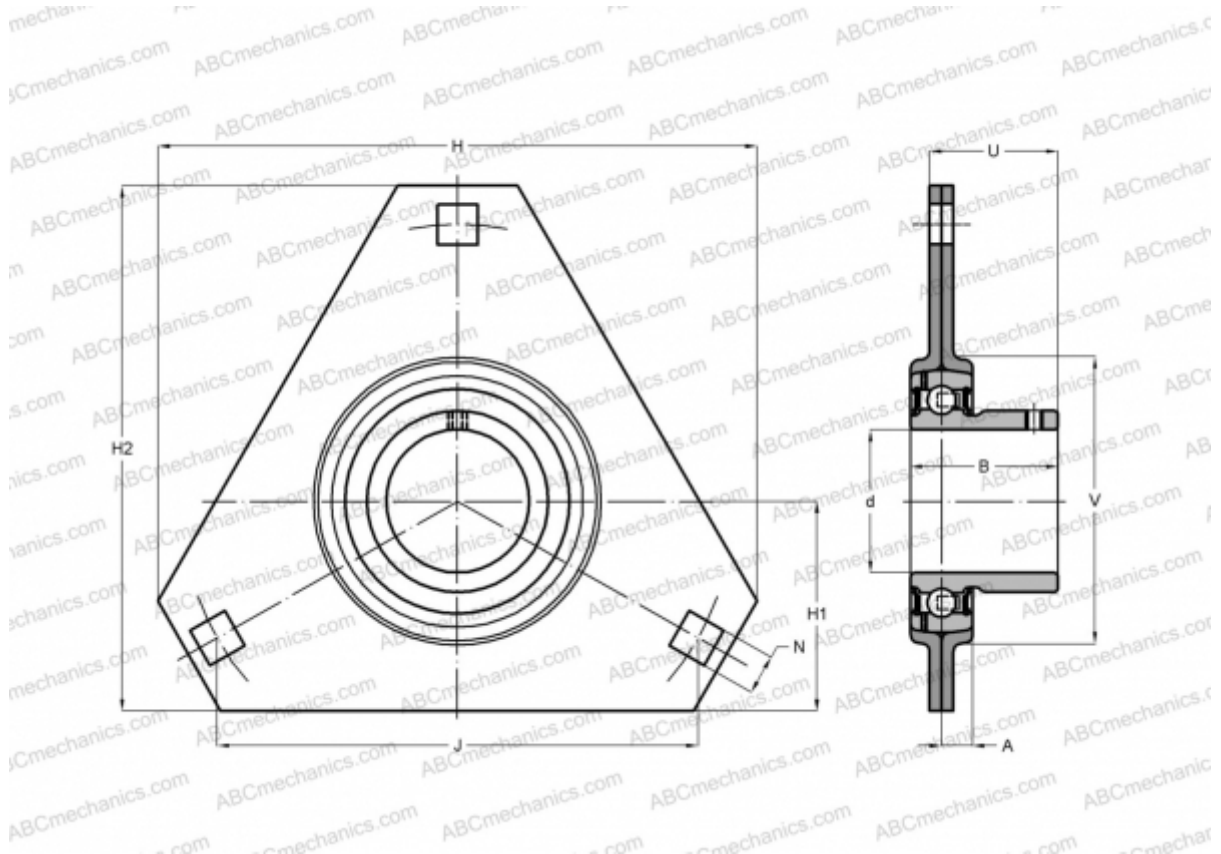


PFD 17 RM SKF

Ball bearing units

TYPE: Housing units, Three-bolt flanged housing units, Sheet steel housing, Radial insert ball bearing with grub screws in inner ring, With inner ring extended at one side



Technical specification

DIMENSIONS, MM

d	17,000
D	40,000
B	22,100
H	81,000
A	7,000
J	63,000
H1	29,000
N	7,100
U	17,900
V	49,000

WEIGHT, KG

	0,160
Bearing	YAT 203
Housing	PFD 40

MANUFACTURER

[SKF](#)

INTERCHANGE

ABC

[PFD 17 RM](#)

ASAHI

[BPFT 3](#)

CALCULATION DATA

Basic dynamic load rating, C	9,560 kN
Basic static load rating, Co	4,750 kN
Fatigue load limit, Pu	0,200 kN