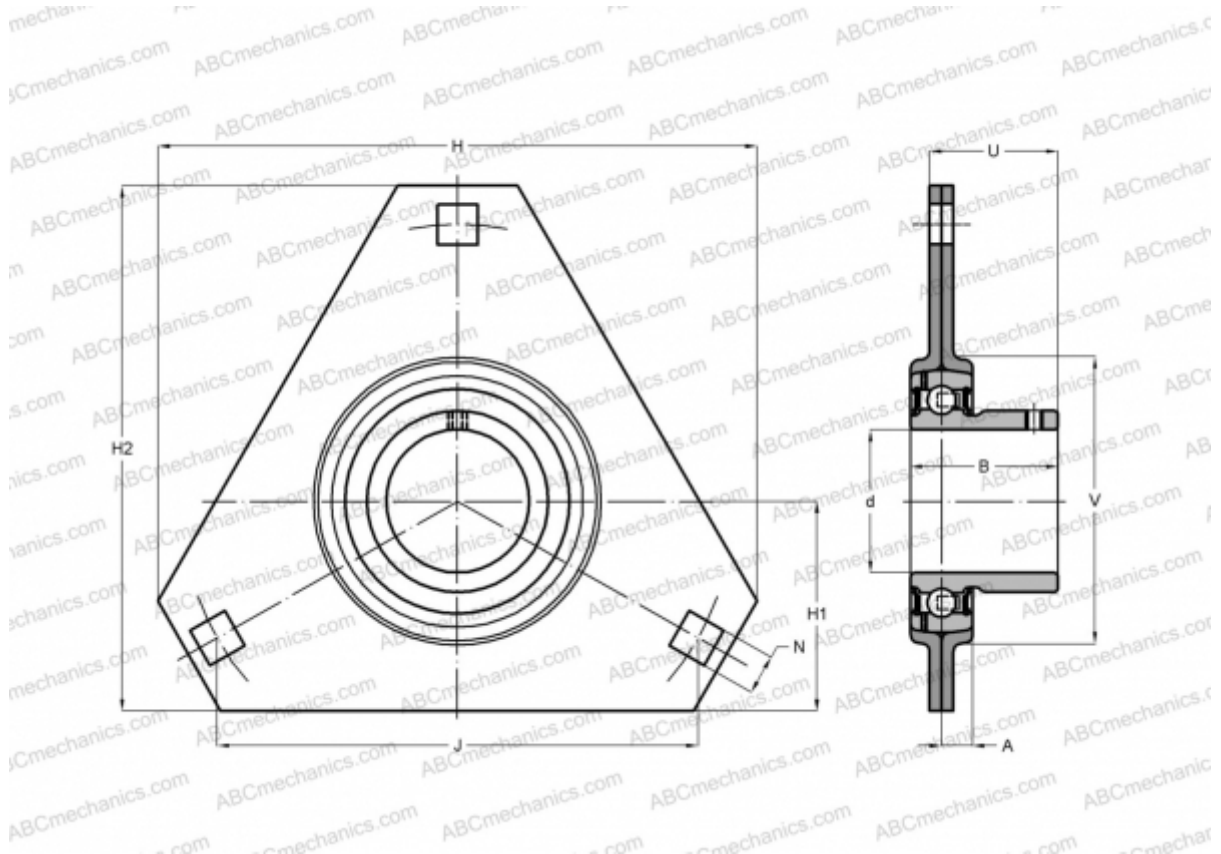


USPFT204 ABC

Ball bearing units

TYPE: Housing units, Three-bolt flanged housing units, Sheet steel housing, Radial insert ball bearing with grub screws in inner ring, With inner ring extended at one side



Technical specification

DIMENSIONS, MM

| | |
|----|--------|
| d | 20,000 |
| D | 47,000 |
| B | 25,000 |
| H | 90,500 |
| A | 7,200 |
| J | 71,500 |
| H1 | 33,300 |
| N | 8,700 |
| V | 55,000 |

WEIGHT, KG 0,200

| | |
|---------|--------|
| Bearing | US204 |
| Housing | PFT204 |

MANUFACTURER

[ABC](#)

INTERCHANGE

| | |
|-------|---------------------------|
| ASAHI | BPFT 4 |
| SKF | PFD 20 RM |
| SNR | USPFT204 |