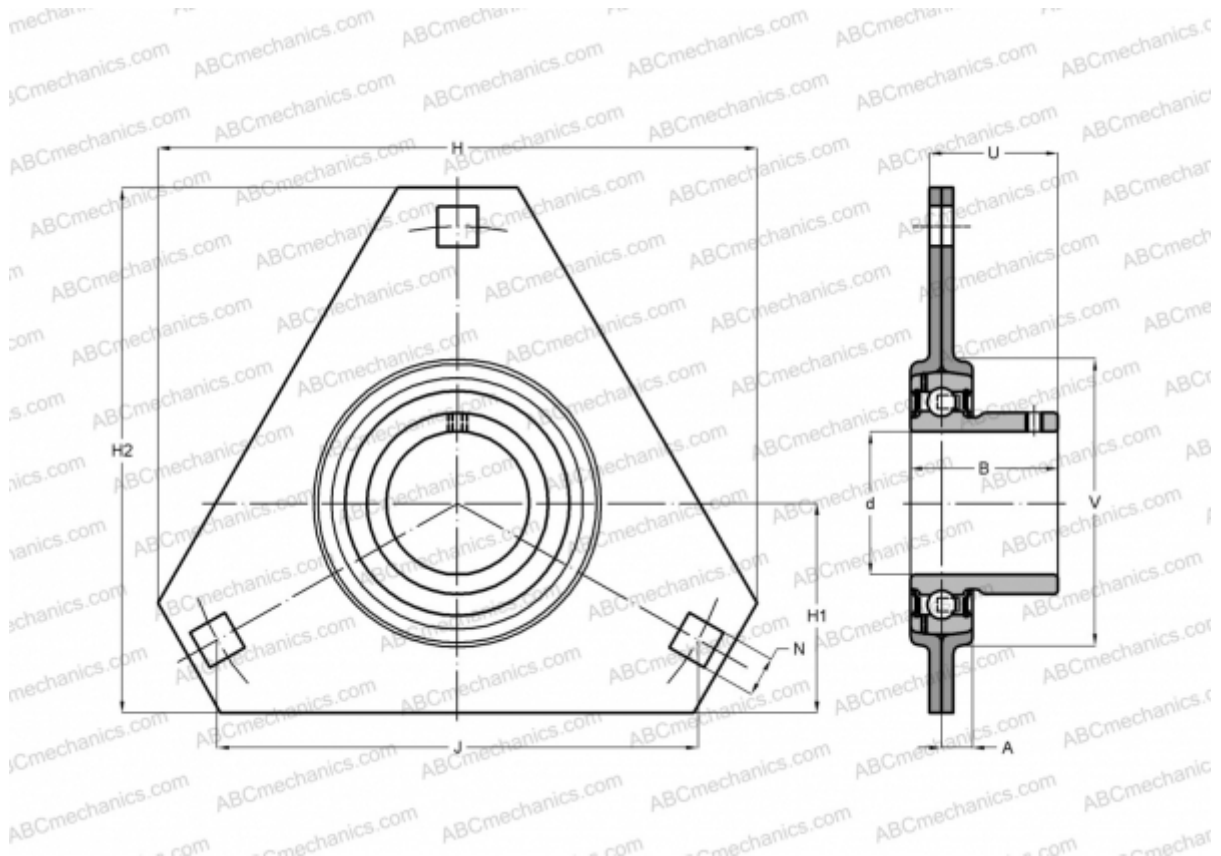


## BPFT 4 ASAHI

Ball bearing units

TYPE: Housing units, Three-bolt flanged housing units, Sheet steel housing, Radial insert ball bearing with grub screws in inner ring, With inner ring extended at one side



### Technical specification

#### DIMENSIONS, MM

d	20,000
D	47,000
B	24,700
H	90,000
A	8,000
J	71,500
H1	33,000
N	9,000
V	56,000

**WEIGHT, KG** 0,250

Bearing	B 4
Housing	PFT 4

#### MANUFACTURER

[ASAHI](#)

#### INTERCHANGE

ABC	<a href="#">USPFT204</a>
SKF	<a href="#">PFD 20 RM</a>
SNR	<a href="#">USPFT204</a>