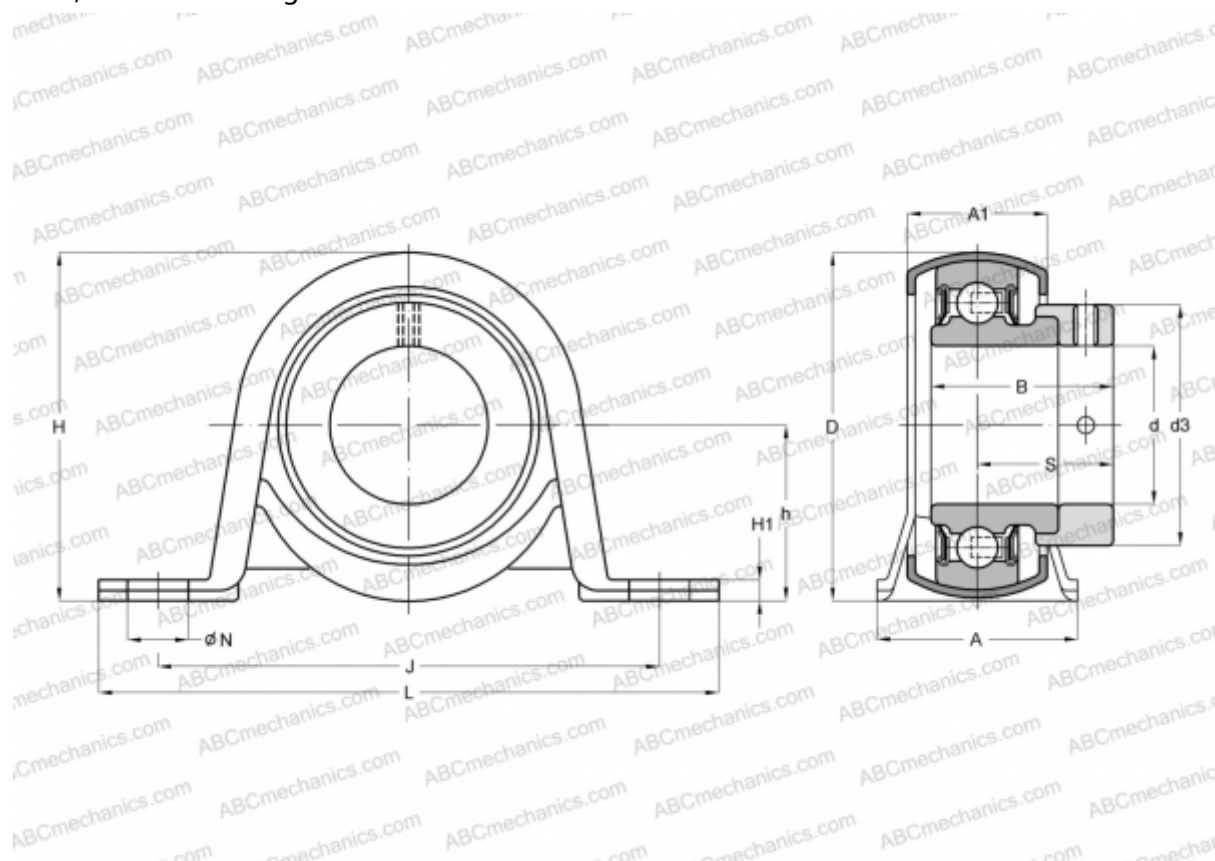


ESPP201 ABC

Ball bearing units

TYPE: Housing units, Plummer block, Sheet steel housing, Radial insert ball bearing with eccentric locking collar, With inner ring extended at one side



Technical specification

DIMENSIONS, MM

| | |
|----|--------|
| d | 12,000 |
| D | 40,000 |
| B | 28,600 |
| L | 85,700 |
| H | 43,200 |
| A | 25,400 |
| J | 68,000 |
| A1 | 15,900 |
| H1 | 2,400 |
| N | 9,000 |
| S | 22,100 |
| d3 | 28,600 |
| h | 22,200 |

| | |
|---------|-------|
| Bearing | ES201 |
| Housing | PP203 |

MANUFACTURER [ABC](#)

INTERCHANGE

| | |
|-----|------------------------------|
| INA | PB12 |
| SNR | ESPP201 |
| SLB | SAPP 201 |
| FYH | SAPP 201 F |
| NTN | AELPP 201 W3 |

WEIGHT, KG 0,200