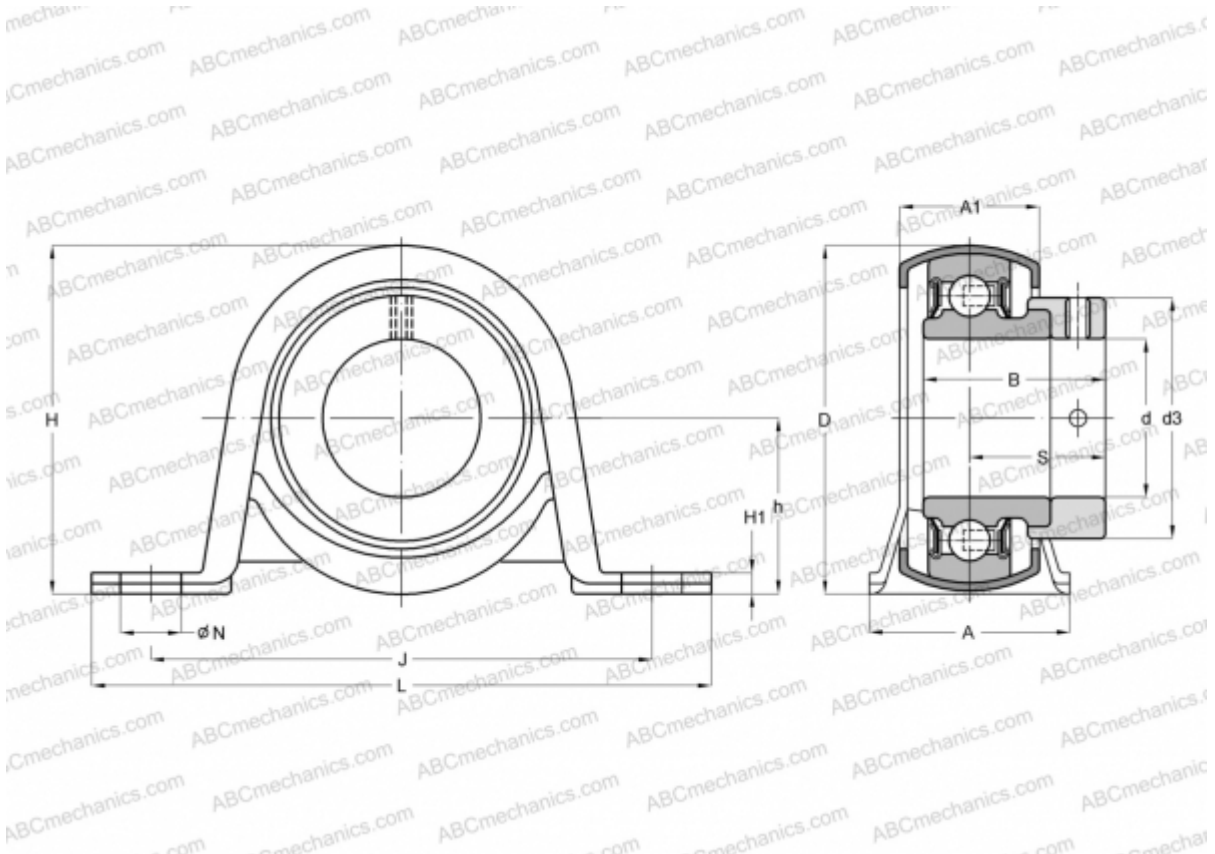


ESPP201 SNR

Ball bearing units

TYPE: Housing units, Plummer block, Sheet steel housing, Radial insert ball bearing with eccentric locking collar, With inner ring extended at one side



Technical specification

DIMENSIONS, MM

d	12,000
D	40,000
B	28,600
L	85,700
H	43,200
A	25,400
J	68,000
A1	15,900
H1	2,400
N	9,000
S	22,100
d3	28,600
h	22,200

WEIGHT, KG 0,200

CALCULATION DATA

Operating temperature max 110 °C

Bearing	ES201
Housing	PP203

MANUFACTURER

[SNR](#)

INTERCHANGE

ABC	ESPP201
INA	PB12
SLB	SAPP 201
FYH	SAPP 201 F
NTN	AELPP 201 W3

CALCULATION DATA

Basic dynamic load rating, C	9,550 kN
Basic static load rating, Co	4,780 kN
Operating temperature min	-20 °C