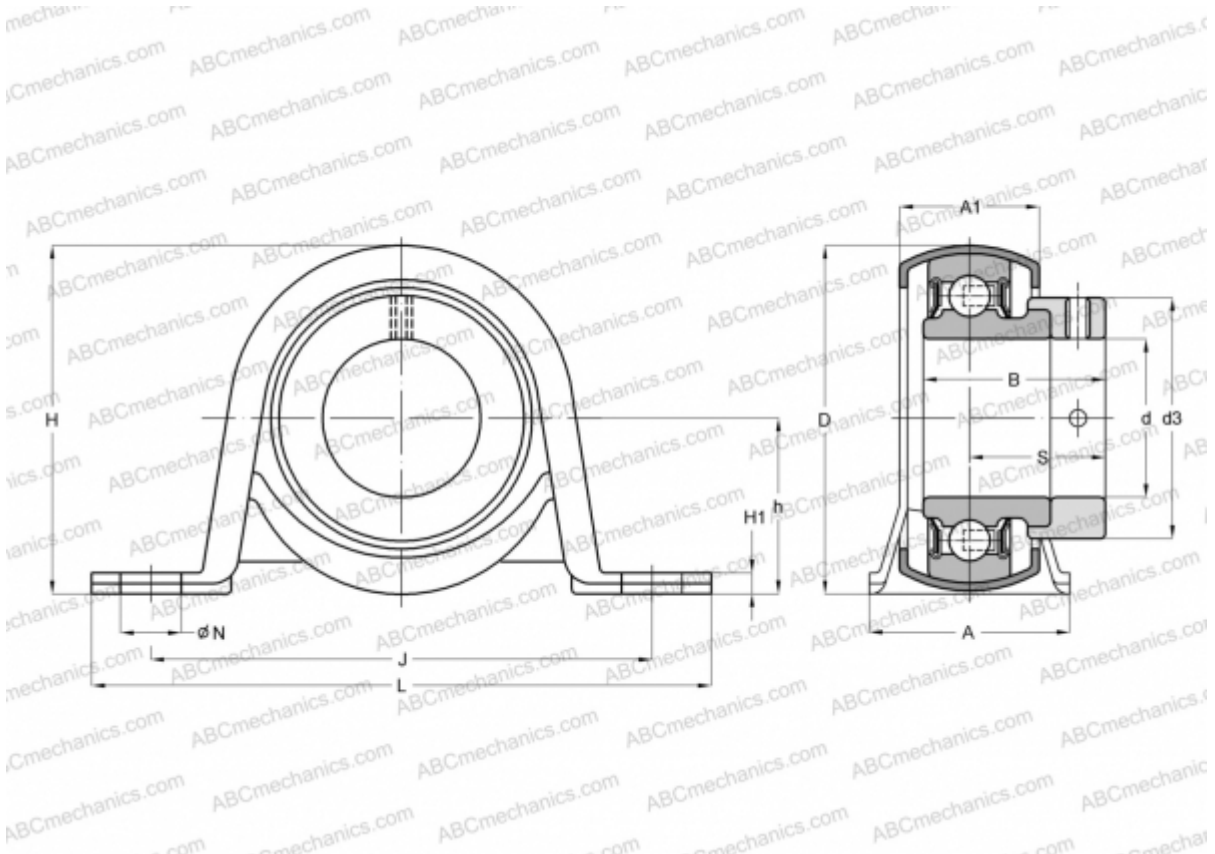


P 15 FM SKF

Ball bearing units

TYPE: Housing units, Plummer block, Sheet steel housing, Radial insert ball bearing with eccentric locking collar, With inner ring extended at one side



Technical specification

DIMENSIONS, MM

d	15,000
D	40,000
B	28,600
L	86,000
H	44,000
A	26,000
J	68,000
A1	18,000
H1	3,000
N	9,600
S	22,100
h	22,000

WEIGHT, KG 0,180

CALCULATION DATA

Fatigue load limit, Pu 0,200 kN

Bearing YET 203/15
Housing P 40

MANUFACTURER [SKF](#)

INTERCHANGE

ABC [ESPP202](#)
INA [PB15](#)
SNR [ESPP202](#)
SLB [SAPP 202](#)
FYH [SAPP 202 F](#)
NTN [AELPP 202 W3](#)

CALCULATION DATA

Basic dynamic load rating, C 9,560 kN
Basic static load rating, Co 4,750 kN