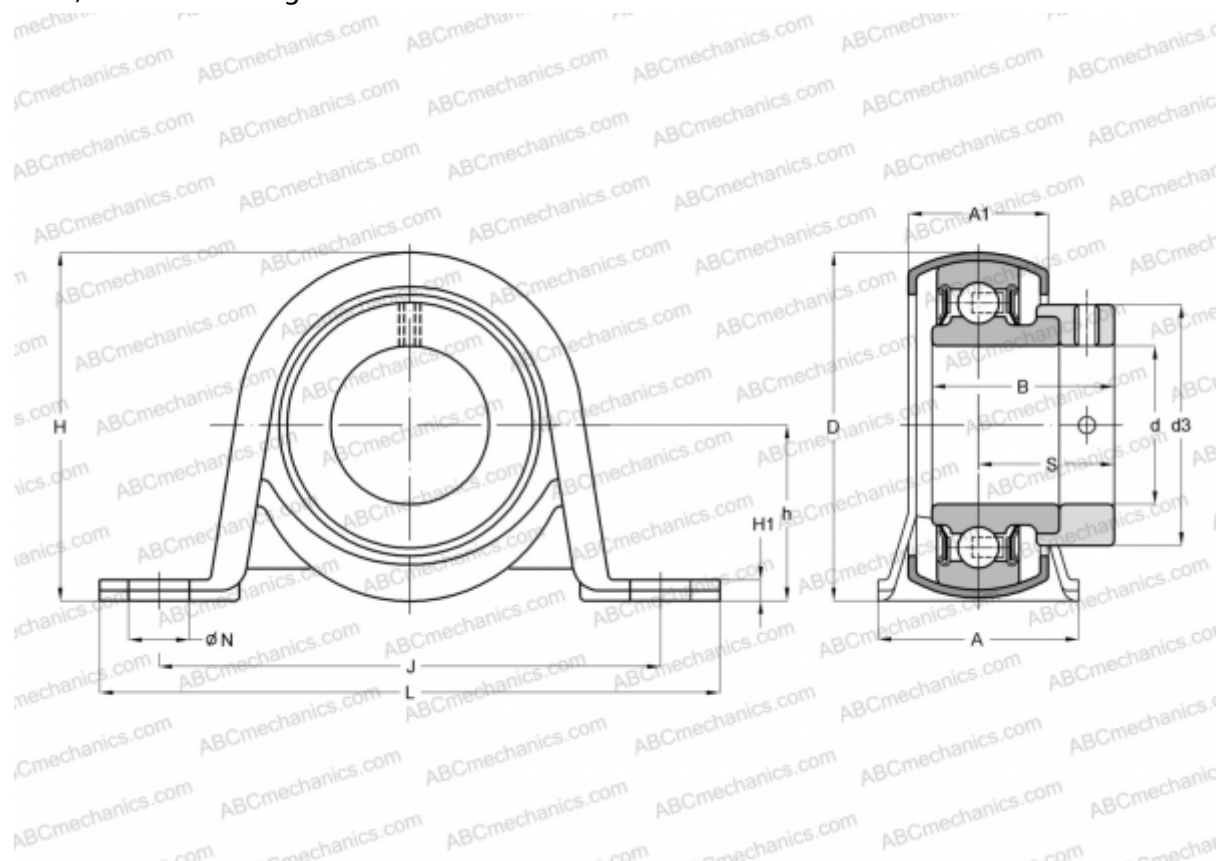


## PB15 INA

Ball bearing units

TYPE: Housing units, Plummer block, Sheet steel housing, Radial insert ball bearing with eccentric locking collar, With inner ring extended at one side



### Technical specification

#### DIMENSIONS, MM

d	15,000
D	40,000
B	28,600
L	85,700
H	43,200
A	25,400
J	68,000
A1	18,400
H1	2,600
N	9,500
S	22,100
d3	28,000
h	22,200

**WEIGHT, KG** 0,170

Bearing	RAE15-NPP-B
Housing	GEH40-BT

#### MANUFACTURER

[INA](#)

#### INTERCHANGE

ABC	<a href="#">ESPP202</a>
SKF	<a href="#">P 15 FM</a>
SNR	<a href="#">ESPP202</a>
SLB	<a href="#">SAPP 202</a>
FYH	<a href="#">SAPP 202 F</a>
NTN	<a href="#">AELPP 202 W3</a>

#### CALCULATION DATA

Basic dynamic load rating, C	9,800 kN
Basic static load rating, Co	4,750 kN