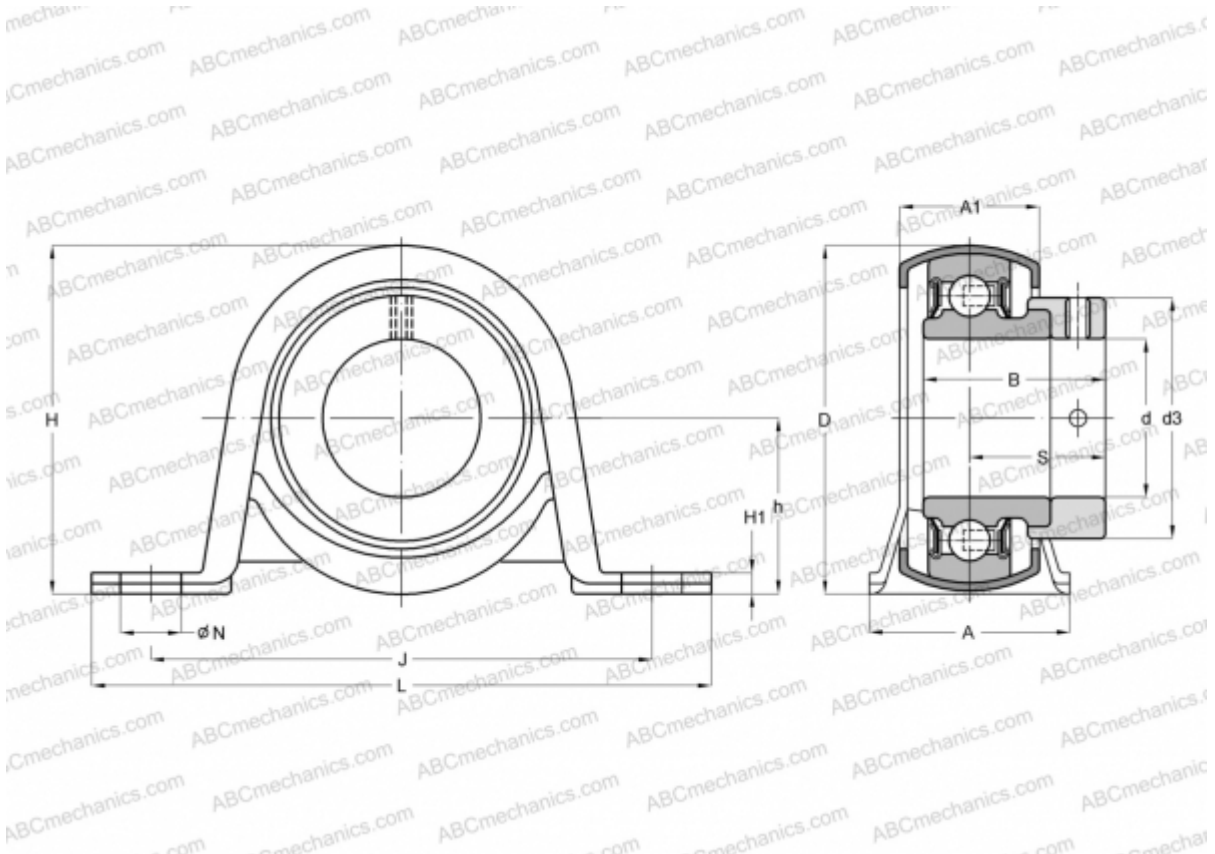


## ESPP202 SNR

Ball bearing units

TYPE: Housing units, Plummer block, Sheet steel housing, Radial insert ball bearing with eccentric locking collar, With inner ring extended at one side



### Technical specification

#### DIMENSIONS, MM

d	15,000
D	40,000
B	28,600
L	85,700
H	43,200
A	25,400
J	68,000
A1	15,900
H1	2,400
N	9,000
S	22,100
d3	28,600
h	22,200

**WEIGHT, KG** 0,200

Bearing	ES202
Housing	PP203

#### MANUFACTURER

[SNR](#)

#### INTERCHANGE

ABC	<a href="#">ESPP202</a>
SKF	<a href="#">P 15 FM</a>
INA	<a href="#">PB15</a>
SLB	<a href="#">SAPP 202</a>
FYH	<a href="#">SAPP 202 F</a>
NTN	<a href="#">AELPP 202 W3</a>

#### CALCULATION DATA

Basic dynamic load rating, C	9,550 kN
Basic static load rating, Co	4,780 kN



## CALCULATION DATA

Operating temperature min	-20 °C
Operating temperature max	110 °C