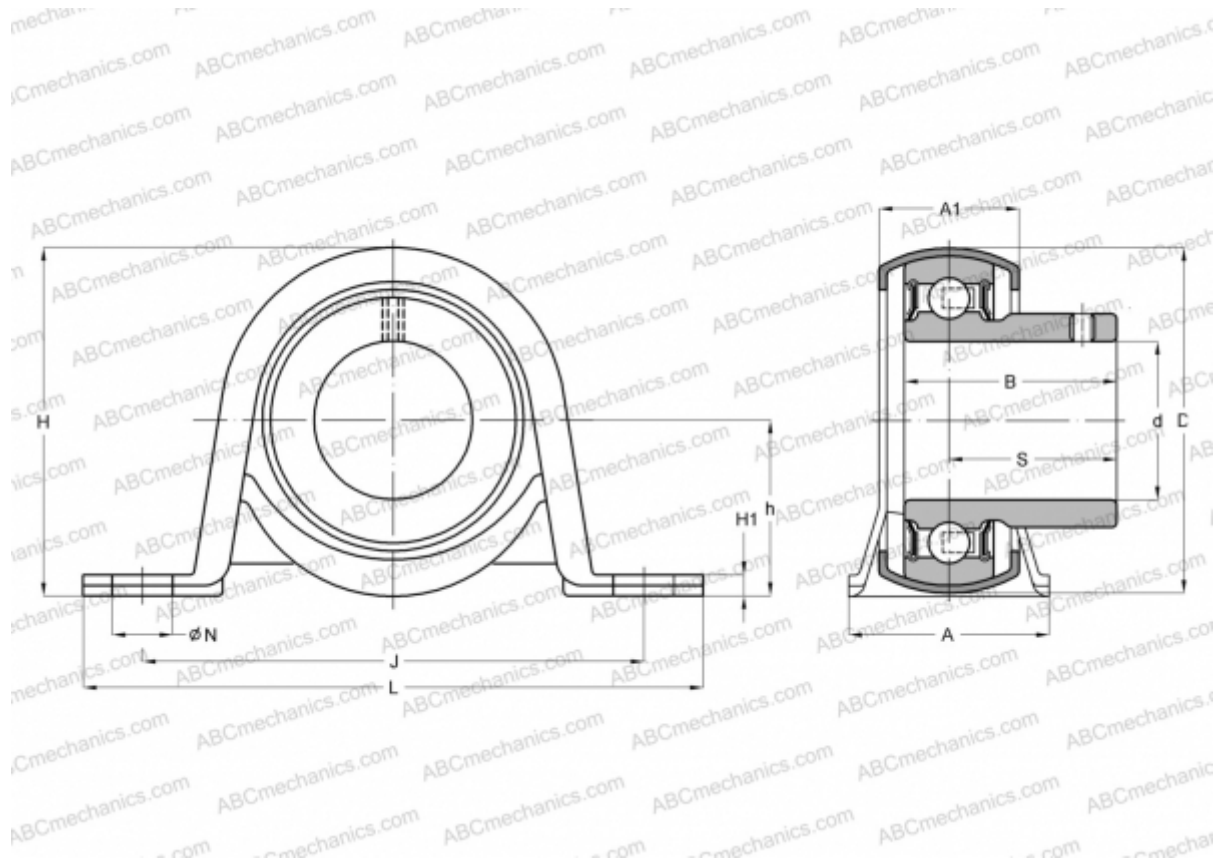


BPP 1 ASAHI

Ball bearing units

TYPE: Housing units, Plummer block, Sheet steel housing, Radial insert ball bearing with grub screws in inner ring, With inner ring extended at one side



Technical specification

DIMENSIONS, MM

d	12,000
D	40,000
B	22,000
L	86,000
H	44,000
A	25,000
J	68,000
H1	3,200
N	9,500
S	16,000
h	22,200

WEIGHT, KG

Bearing	B 1
---------	-----

Housing

PP 3

MANUFACTURER

[ASAHI](#)

INTERCHANGE

ABC	USPP201
SNR	USPP201
INA	PBY12
SLB	SBPP201
FYH	SBPP 201 F
NTN	ASPP 201