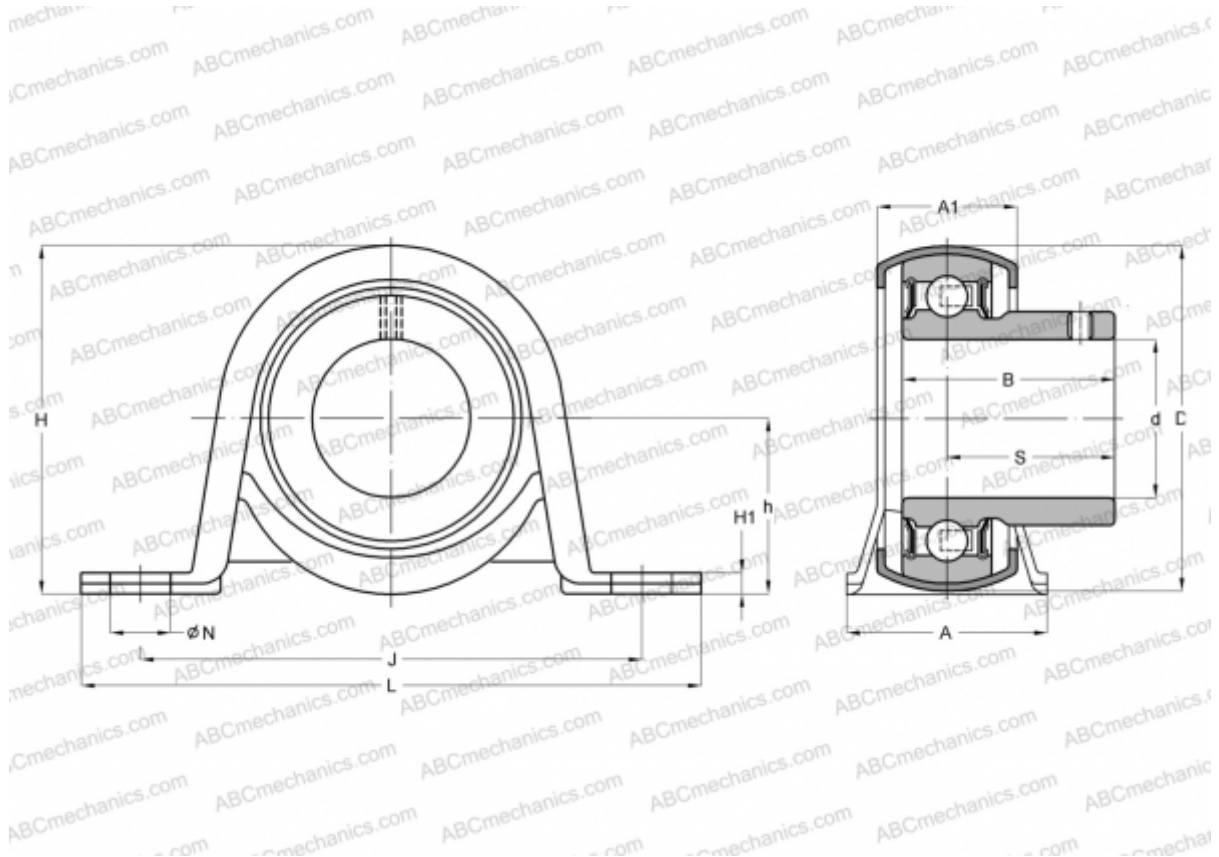


BPP 2 ASAHI

Ball bearing units

TYPE: Housing units, Plummer block, Sheet steel housing, Radial insert ball bearing with grub screws in inner ring, With inner ring extended at one side



Technical specification

DIMENSIONS, MM

d	15,000
D	40,000
B	22,000
L	86,000
H	44,000
A	25,000
J	68,000
H1	3,200
N	9,500
S	16,000
h	22,200

WEIGHT, KG 0,150

Bearing B 2

Housing PP 3

MANUFACTURER [ASAHI](#)

INTERCHANGE

ABC	USPP202
INA	PBY15
SNR	USPP202
SLB	SBPP202
FYH	SBPP202F
NTN	ASPP 202