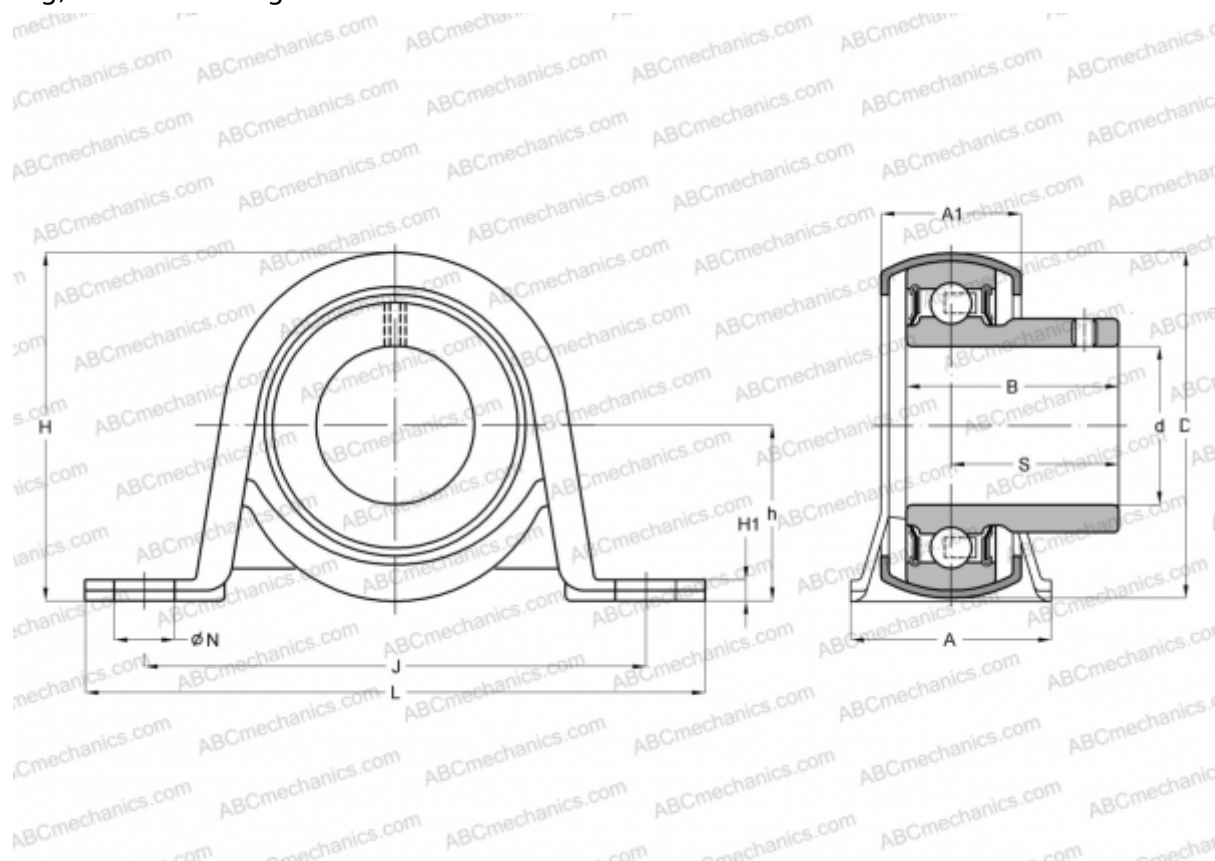


PBY15 INA

Ball bearing units

TYPE: Housing units, Plummer block, Sheet steel housing, Radial insert ball bearing with grub screws in inner ring, With inner ring extended at one side



Technical specification

DIMENSIONS, MM

| | |
|----|--------|
| d | 15,000 |
| D | 40,000 |
| B | 22,000 |
| L | 85,700 |
| H | 43,200 |
| A | 25,400 |
| J | 68,000 |
| A1 | 18,400 |
| H1 | 2,600 |
| N | 9,500 |
| S | 16,000 |
| h | 22,200 |

WEIGHT, KG

0,150

| | |
|---------|------------|
| Bearing | AY15-NPP-B |
| Housing | GEH40-BT |

MANUFACTURER

[INA](#)

INTERCHANGE

| | |
|-------|--------------------------|
| ABC | USPP202 |
| ASAHI | BPP 2 |
| SNR | USPP202 |
| SLB | SBPP202 |
| FYH | SBPP202F |
| NTN | ASPP 202 |

CALCULATION DATA

| | |
|------------------------------|----------|
| Basic dynamic load rating, C | 9,800 kN |
| Basic static load rating, Co | 4,750 kN |