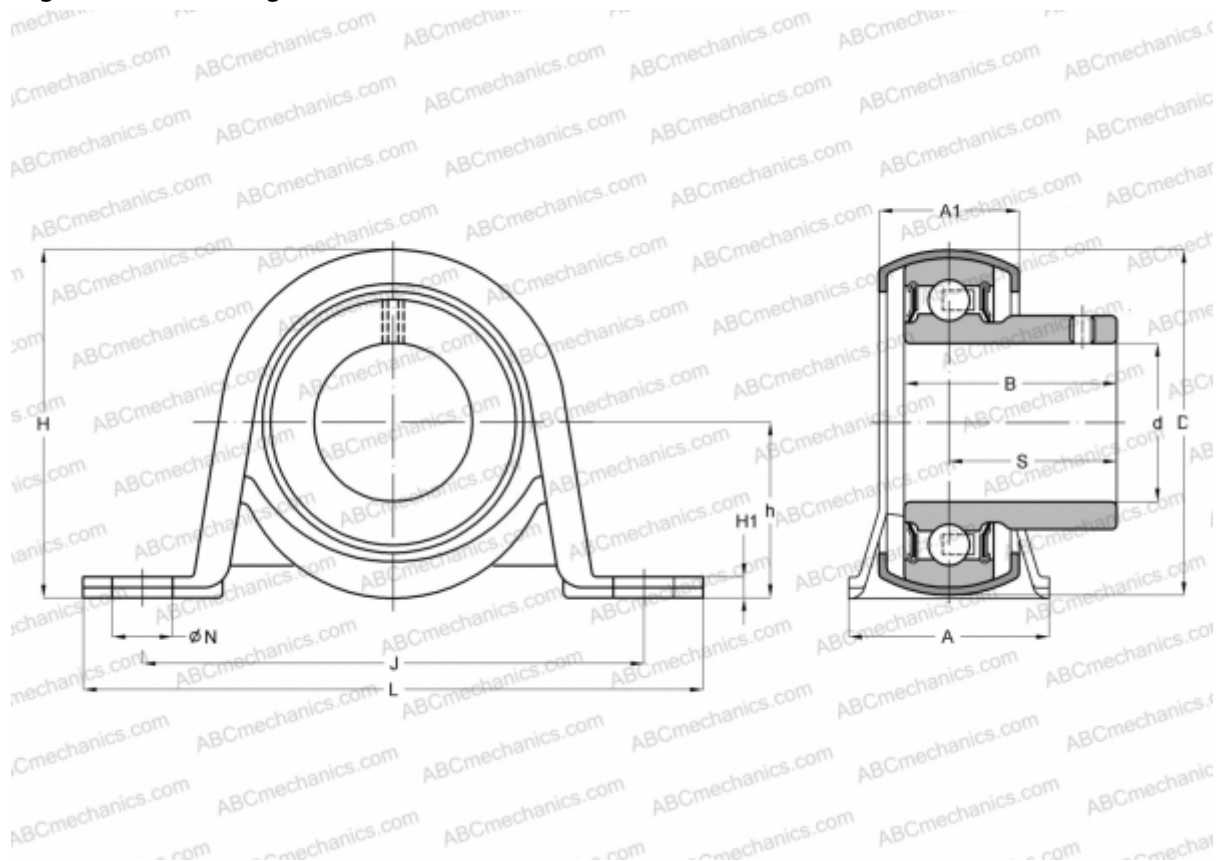


## PBY12 INA

Ball bearing units

TYPE: Housing units, Plummer block, Sheet steel housing, Radial insert ball bearing with grub screws in inner ring, With inner ring extended at one side



### Technical specification

#### DIMENSIONS, MM

d	12,000
D	40,000
B	22,000
L	85,700
H	43,200
A	25,400
J	68,000
A1	18,400
H1	2,600
N	9,500
S	16,000
h	22,200

#### WEIGHT, KG

0,150

Bearing	AY12-NPP-B
Housing	GEH40-BT

#### MANUFACTURER

[INA](#)

#### INTERCHANGE

ABC	<a href="#">USPP201</a>
ASAHI	<a href="#">BPP 1</a>
SNR	<a href="#">USPP201</a>
SLB	<a href="#">SBPP201</a>
FYH	<a href="#">SBPP 201 F</a>
NTN	<a href="#">ASPP 201</a>

#### CALCULATION DATA

Basic dynamic load rating, C	9,800 kN
Basic static load rating, Co	4,750 kN