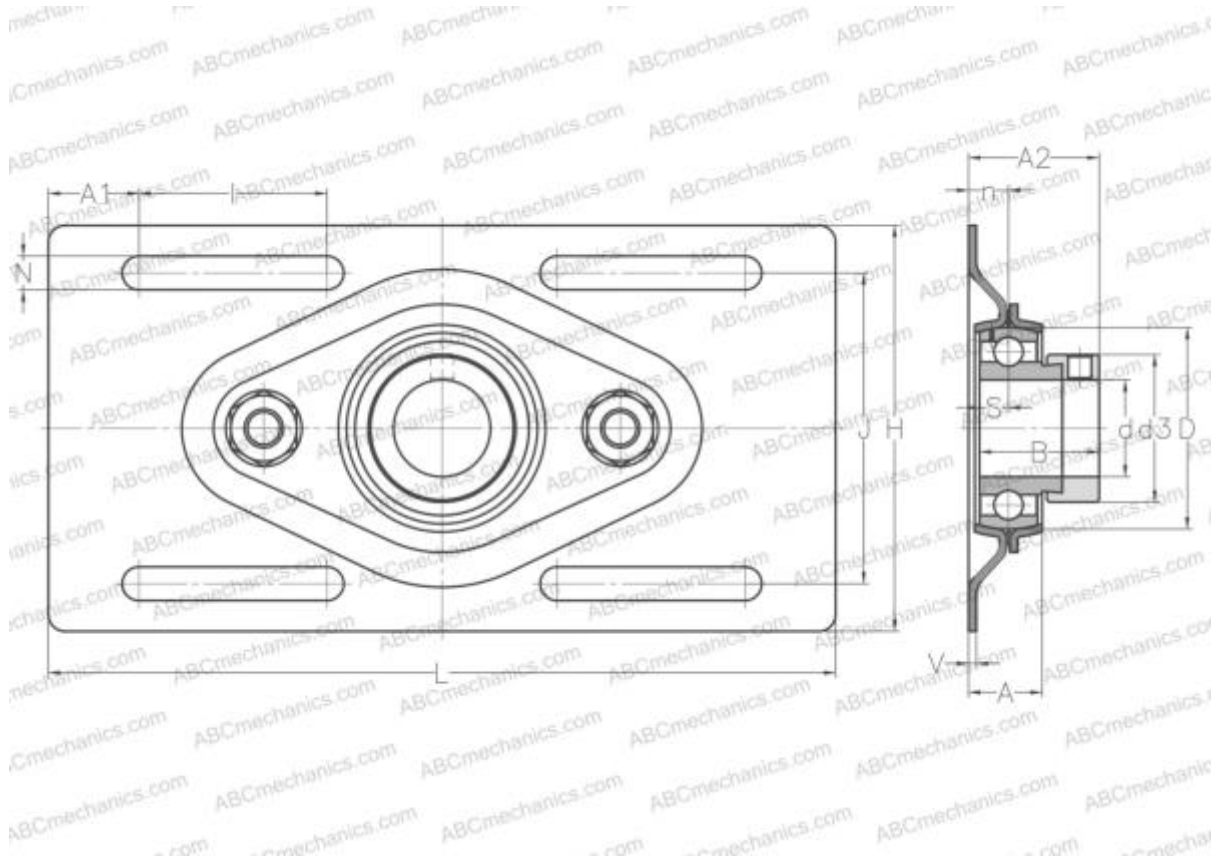


ESPFE205 ABC

Ball bearing units

TYPE: Housing units, Take-up housing units, Sheet steel housing, Radial insert ball bearing with eccentric locking collar, With inner ring extended at one side



Technical specification

DIMENSIONS, MM

d	25,000
D	52,000
B	30,900
L	203,200
H	104,800
A	19,000
J	80,200
A1	23,400
A2	33,700
N	8,700
S	7,500
d3	38,100
V	2,000
l	48,500
n	10,300

WEIGHT, KG

Bearing	0,600
Housing	ES205
	PFE205

MANUFACTURER

[ABC](#)

INTERCHANGE

INA	MSTU25
SNR	ESPFE205