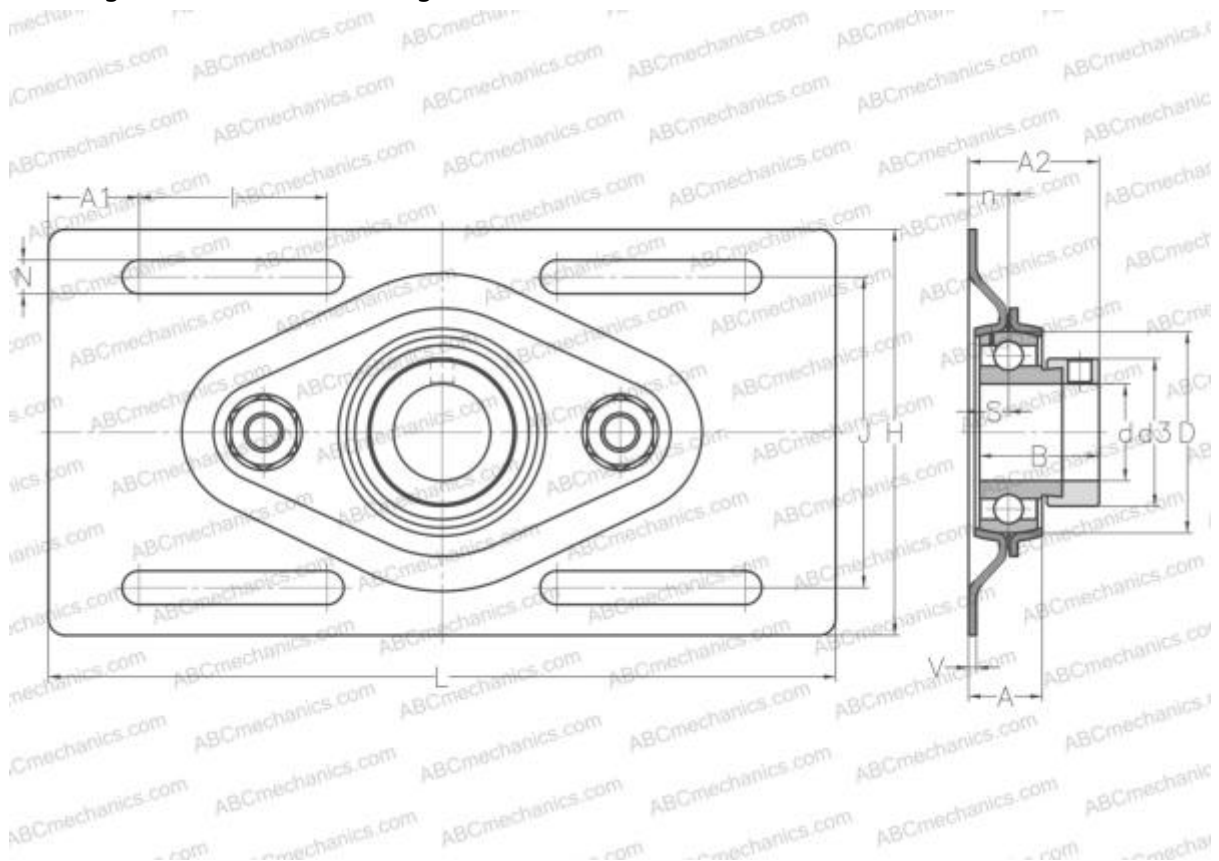


## MSTU25 INA

Ball bearing units

TYPE: Housing units, Take-up housing units, Sheet steel housing, Radial insert ball bearing with eccentric locking collar, With inner ring extended at one side



### Technical specification

#### DIMENSIONS, MM

|    |         |
|----|---------|
| d  | 25,000  |
| D  | 52,000  |
| B  | 31,000  |
| L  | 203,200 |
| H  | 104,800 |
| A  | 19,000  |
| J  | 80,200  |
| A2 | 10,300  |
| d3 | 37,500  |
| U  | 33,800  |

**WEIGHT, KG** 0,580

|         |             |
|---------|-------------|
| Bearing | RAE25-NPP-B |
| Housing | GEH52-MSTU  |

#### MANUFACTURER

[INA](#)

#### INTERCHANGE

|     |                          |
|-----|--------------------------|
| ABC | <a href="#">ESPFE205</a> |
| SNR | <a href="#">ESPFE205</a> |

#### CALCULATION DATA

|                              |           |
|------------------------------|-----------|
| Basic dynamic load rating, C | 14,000 kN |
| Basic static load rating, Co | 7,800 kN  |