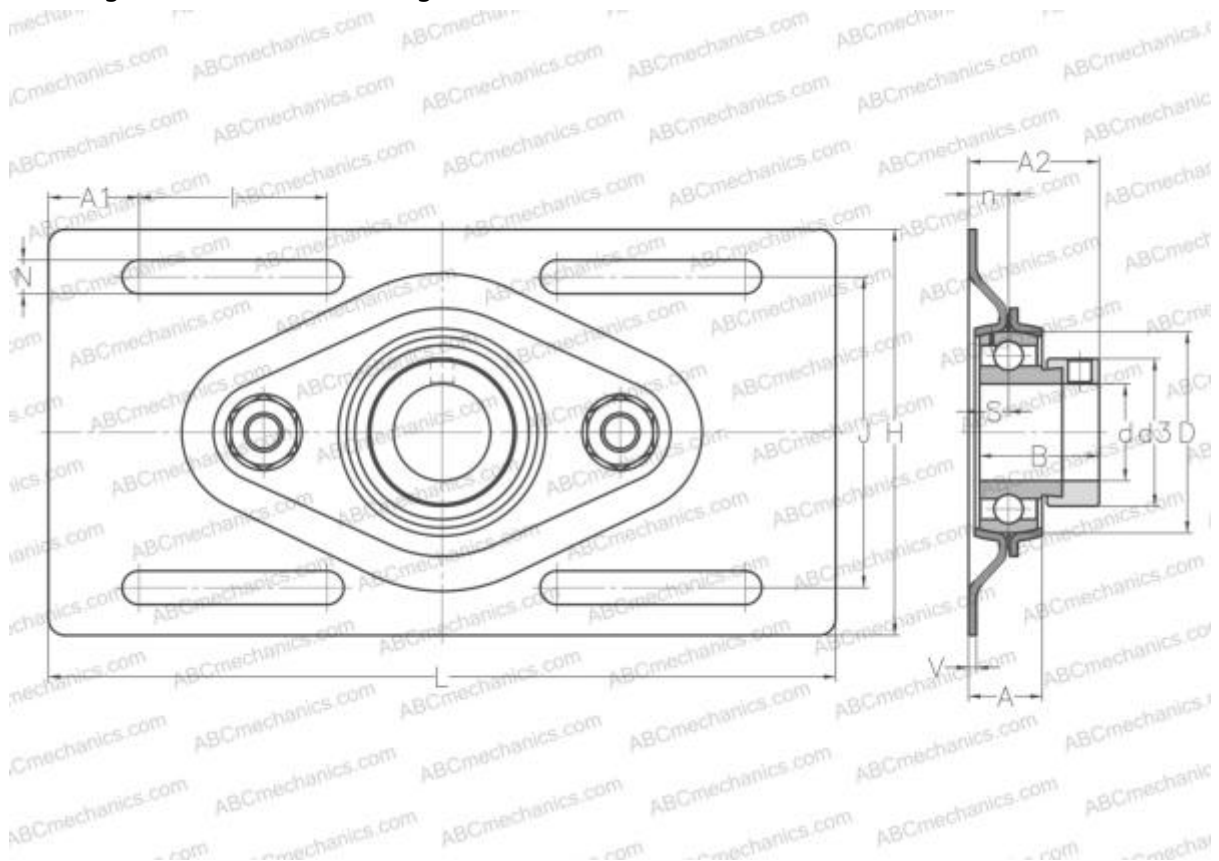


ESPFE206 ABC

Ball bearing units

TYPE: Housing units, Take-up housing units, Sheet steel housing, Radial insert ball bearing with eccentric locking collar, With inner ring extended at one side



Technical specification

DIMENSIONS, MM

d	30,000
D	62,000
B	35,700
L	203,200
H	114,300
A	21,100
J	89,200
A1	23,400
A2	38,800
N	8,700
S	9,000
d3	44,500
V	2,500
I	48,500
n	12,100

WEIGHT, KG

	0,900
Bearing	ES206
Housing	PFE206

MANUFACTURER

[ABC](#)

INTERCHANGE

INA	MSTU30
SNR	ESPFE206