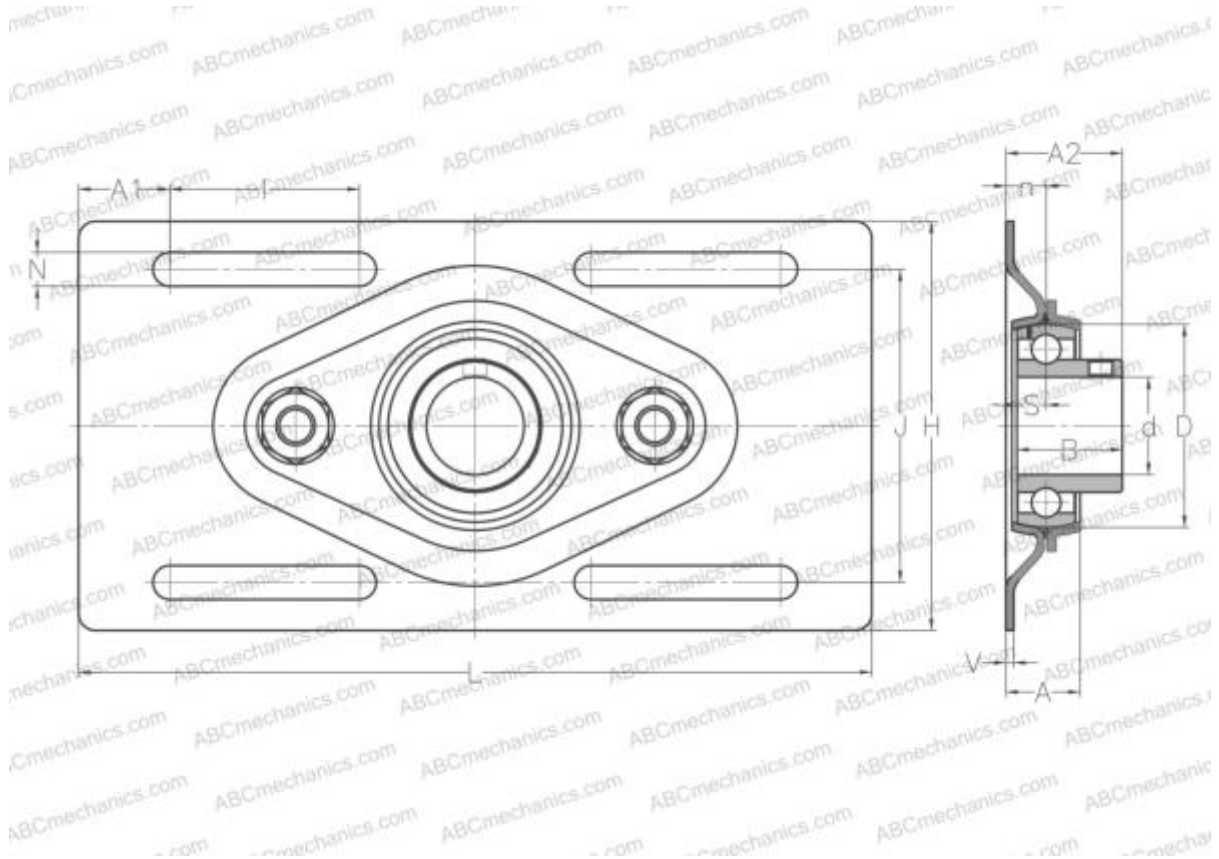


USPFE205 ABC

Ball bearing units

TYPE: Housing units, Take-up housing units, Sheet steel housing, Radial insert ball bearing with grub screws in inner ring, With inner ring extended at one side



Technical specification

DIMENSIONS, MM

d	25,000
D	52,000
B	27,000
L	203,200
H	104,800
A	19,000
J	80,200
A1	23,400
A2	29,800
N	8,700
S	7,500
V	2,000
I	48,500
n	10,300

WEIGHT, KG

Bearing	0,600
Housing	US205
	PFE205

MANUFACTURER

[ABC](#)

INTERCHANGE

SNR	USPFE205
-----	--------------------------