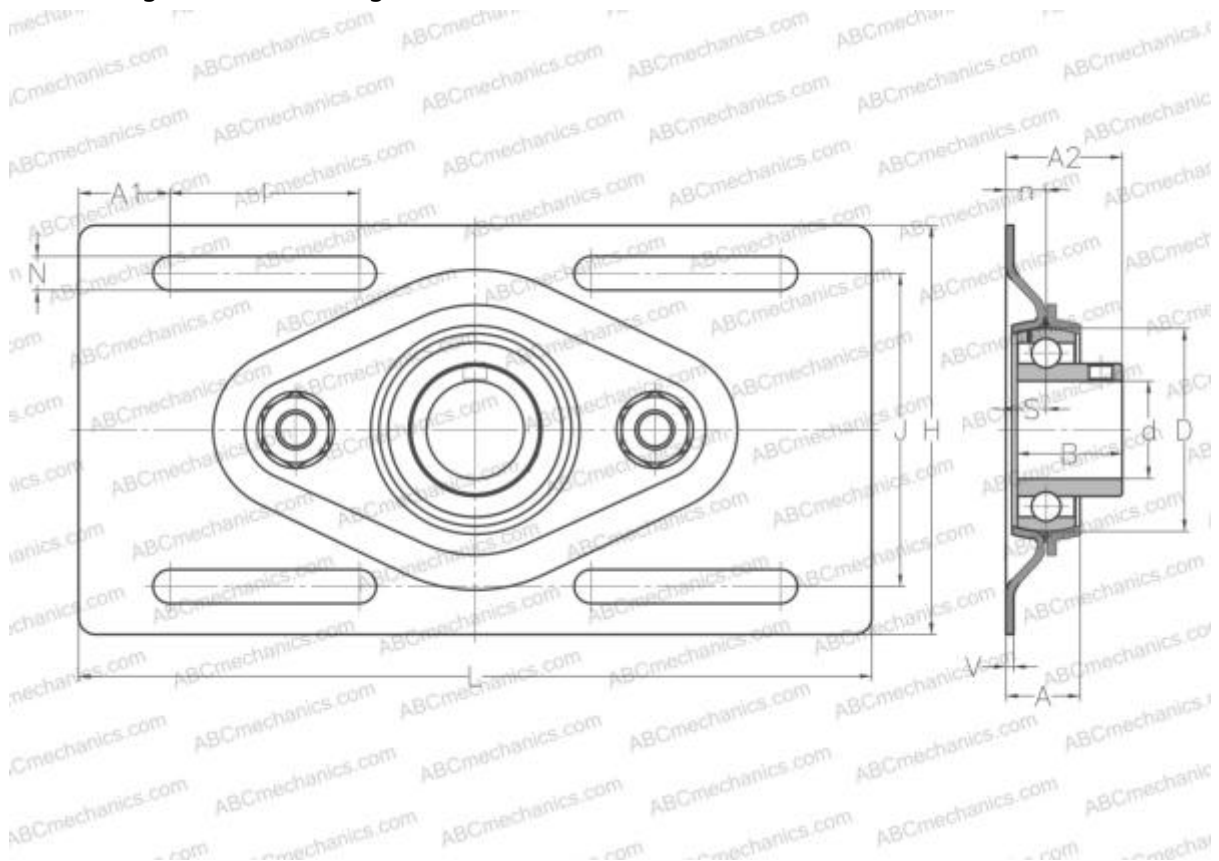


USPFE205 SNR

Ball bearing units

TYPE: Housing units, Take-up housing units, Sheet steel housing, Radial insert ball bearing with grub screws in inner ring, With inner ring extended at one side



Technical specification

DIMENSIONS, MM

| | |
|----|---------|
| d | 25,000 |
| D | 52,000 |
| B | 27,000 |
| L | 203,200 |
| H | 104,800 |
| A | 19,000 |
| J | 80,200 |
| A1 | 23,400 |
| A2 | 29,800 |
| N | 8,700 |
| S | 7,500 |
| V | 2,000 |
| l | 48,500 |
| n | 10,300 |

WEIGHT, KG

| | |
|---------|--------|
| Bearing | US205 |
| Housing | PFE205 |

0,600

MANUFACTURER

[SNR](#)

INTERCHANGE

| | |
|-----|--------------------------|
| ABC | USPFE205 |
|-----|--------------------------|

CALCULATION DATA

| | |
|------------------------------|-----------|
| Basic dynamic load rating, C | 14,000 kN |
| Basic static load rating, Co | 7,880 kN |
| Operating temperature min | -20 °C |
| Operating temperature max | 110 °C |