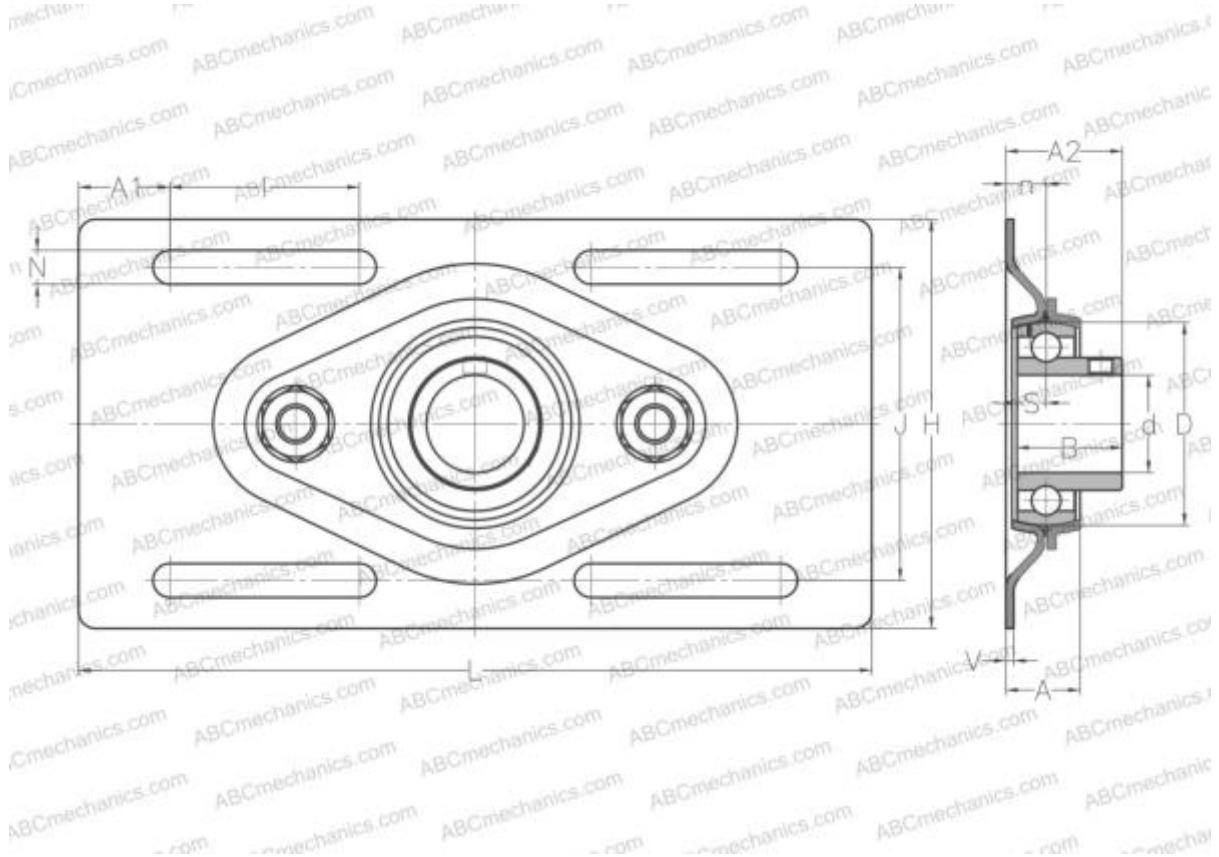


USPFE206 ABC

Ball bearing units

TYPE: Housing units, Take-up housing units, Sheet steel housing, Radial insert ball bearing with grub screws in inner ring, With inner ring extended at one side



Technical specification

DIMENSIONS, MM

| | |
|----|---------|
| d | 30,000 |
| D | 62,000 |
| B | 30,000 |
| L | 203,200 |
| H | 114,300 |
| A | 21,100 |
| J | 89,200 |
| A1 | 23,400 |
| A2 | 34,100 |
| N | 8,700 |
| S | 8,000 |
| V | 2,500 |
| I | 48,500 |
| n | 12,100 |

WEIGHT, KG

| | |
|---------|--------|
| Bearing | 0,800 |
| Housing | US206 |
| | PFE206 |

MANUFACTURER

[ABC](#)

INTERCHANGE

| | |
|-----|--------------------------|
| SNR | USPFE206 |
|-----|--------------------------|