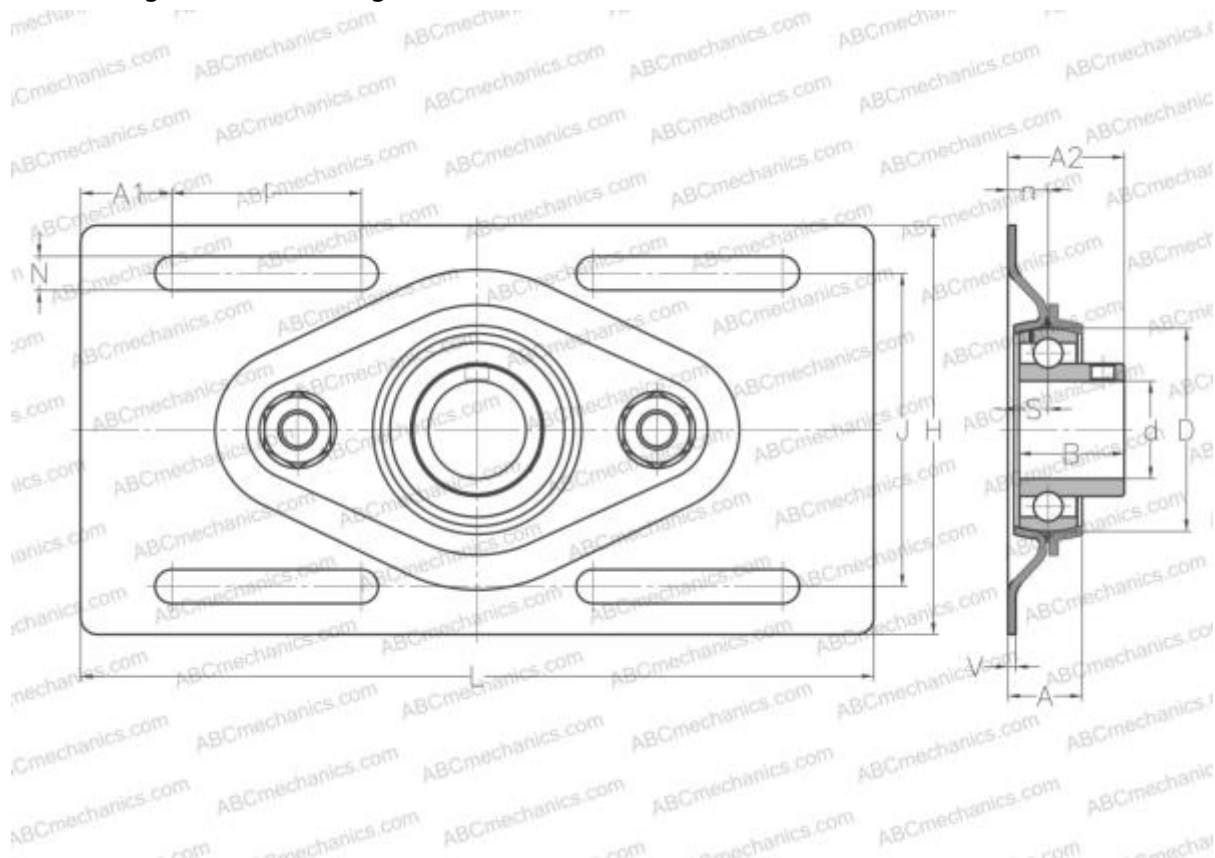


## USPFE206 SNR

Ball bearing units

TYPE: Housing units, Take-up housing units, Sheet steel housing, Radial insert ball bearing with grub screws in inner ring, With inner ring extended at one side



### Technical specification

#### DIMENSIONS, MM

d	30,000
D	62,000
B	30,000
L	203,200
H	114,300
A	21,100
J	89,200
A1	23,400
A2	34,100
N	8,700
S	8,000
V	2,500
I	48,500
n	12,100

#### WEIGHT, KG

	0,800
Bearing	US206
Housing	PFE206

#### MANUFACTURER

[SNR](#)

#### INTERCHANGE

ABC	<a href="#">USPFE206</a>
-----	--------------------------

#### CALCULATION DATA

Basic dynamic load rating, C	19,500 kN
Basic static load rating, Co	11,200 kN
Operating temperature min	-20 °C
Operating temperature max	110 °C