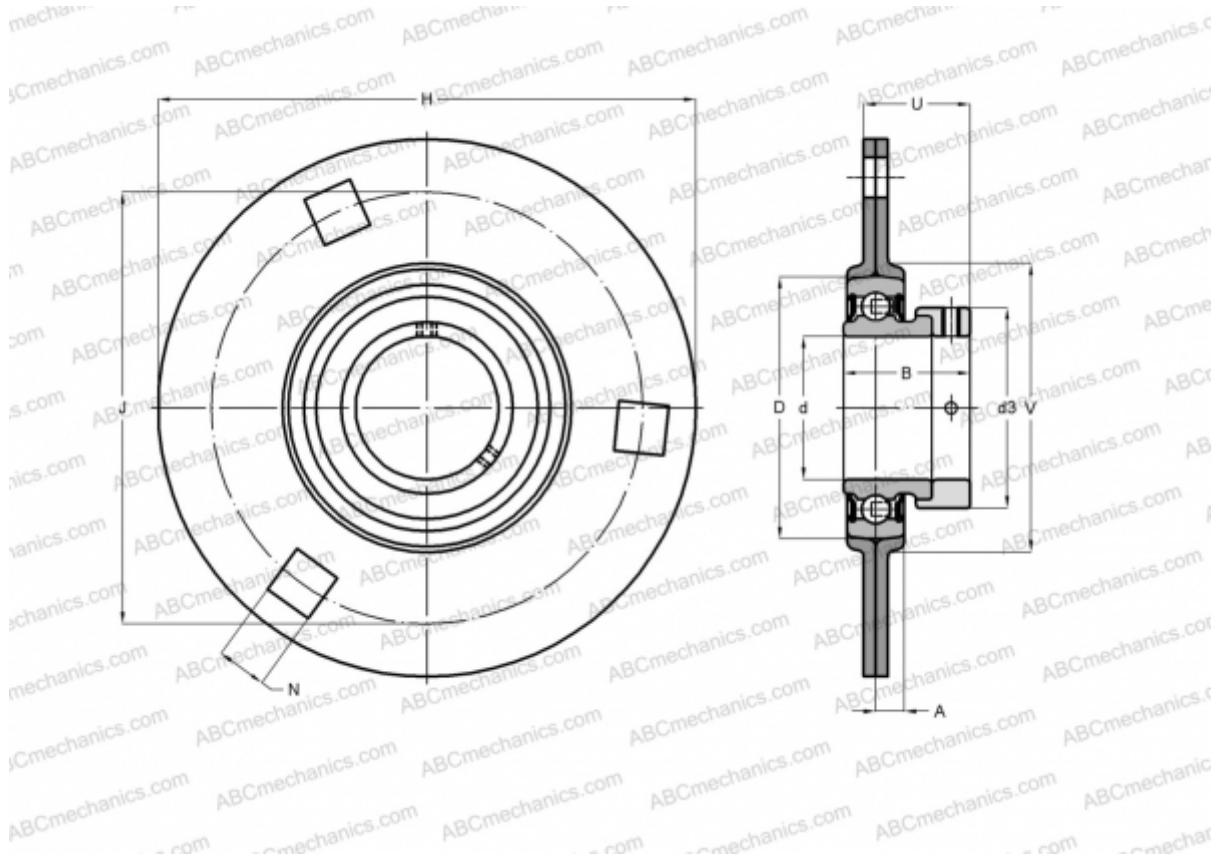


ESPF201 ABC

Ball bearing units

TYPE: Housing units, Three/four-bolt flanged housing units, Sheet steel housing, Radial insert ball bearing with eccentric locking collar, With inner ring extended at one side



Technical specification

DIMENSIONS, MM

| | |
|----|--------|
| d | 12,000 |
| D | 40,000 |
| B | 28,600 |
| H | 81,000 |
| A | 6,700 |
| J | 63,500 |
| N | 7,100 |
| d3 | 28,600 |
| V | 49,000 |

WEIGHT, KG

| | |
|---------|-------|
| | 0,200 |
| Bearing | ES201 |
| Housing | PF203 |

MANUFACTURER

[ABC](#)

INTERCHANGE

| | |
|-----|------------------------------|
| INA | RA12 |
| SNR | ESPF201 |
| SLB | SAPF 201 |
| FYH | SAPF 201 |
| NTN | AELPF 201 W3 |