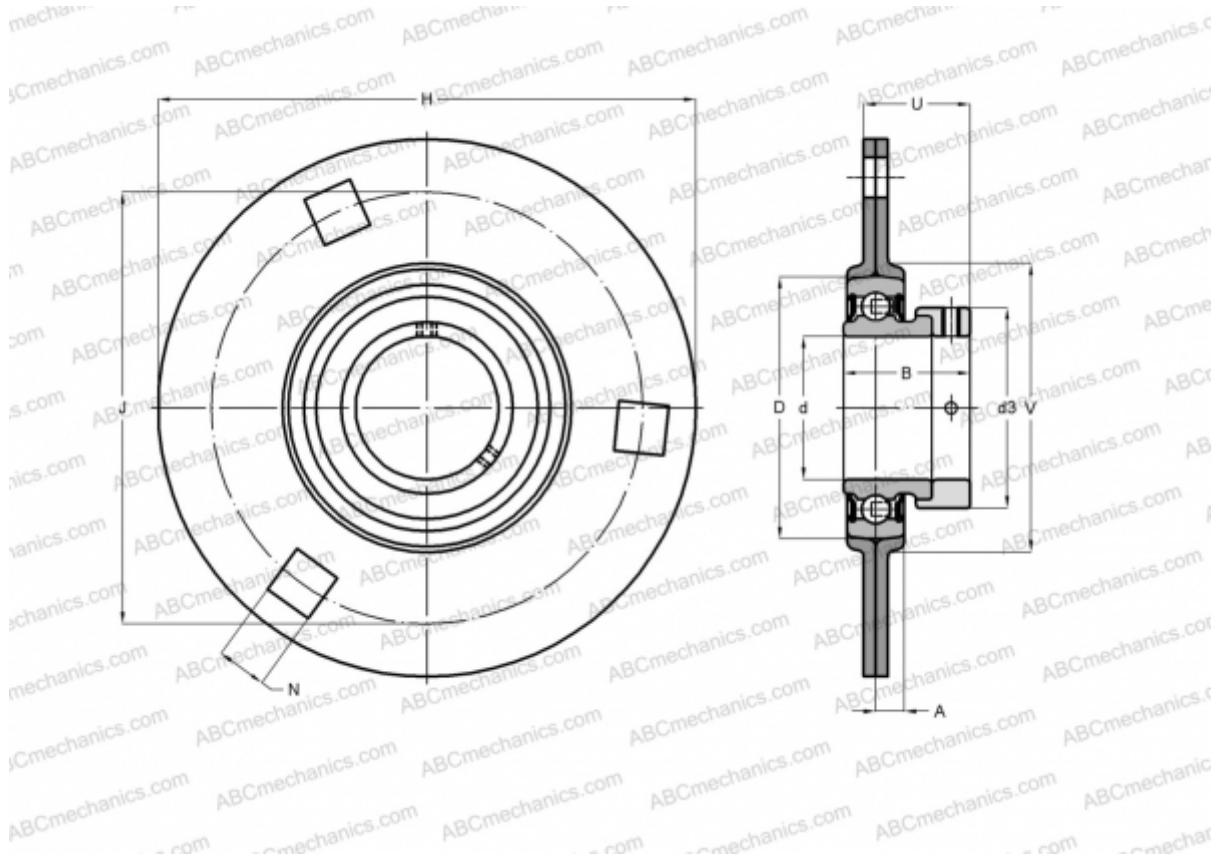


RA12 INA

Ball bearing units

TYPE: Housing units, Three/four-bolt flanged housing units, Sheet steel housing, Radial insert ball bearing with eccentric locking collar, With inner ring extended at one side



Technical specification

DIMENSIONS, MM

d	12,000
D	40,000
B	28,600
H	81,000
A	7,000
J	63,500
N	7,100
d3	28,000
U	24,000
V	48,000

WEIGHT, KG

0,230

Bearing	RAE12-NPP-B
Housing	FLAN40-MSB x

MANUFACTURER

[INA](#)

INTERCHANGE

ABC	ESPF201
SNR	ESPF201
SLB	SAPF 201
FYH	SAPF 201
NTN	AELPF 201 W3

CALCULATION DATA

Basic dynamic load rating, C	9,800 kN
Basic static load rating, Co	4,750 kN