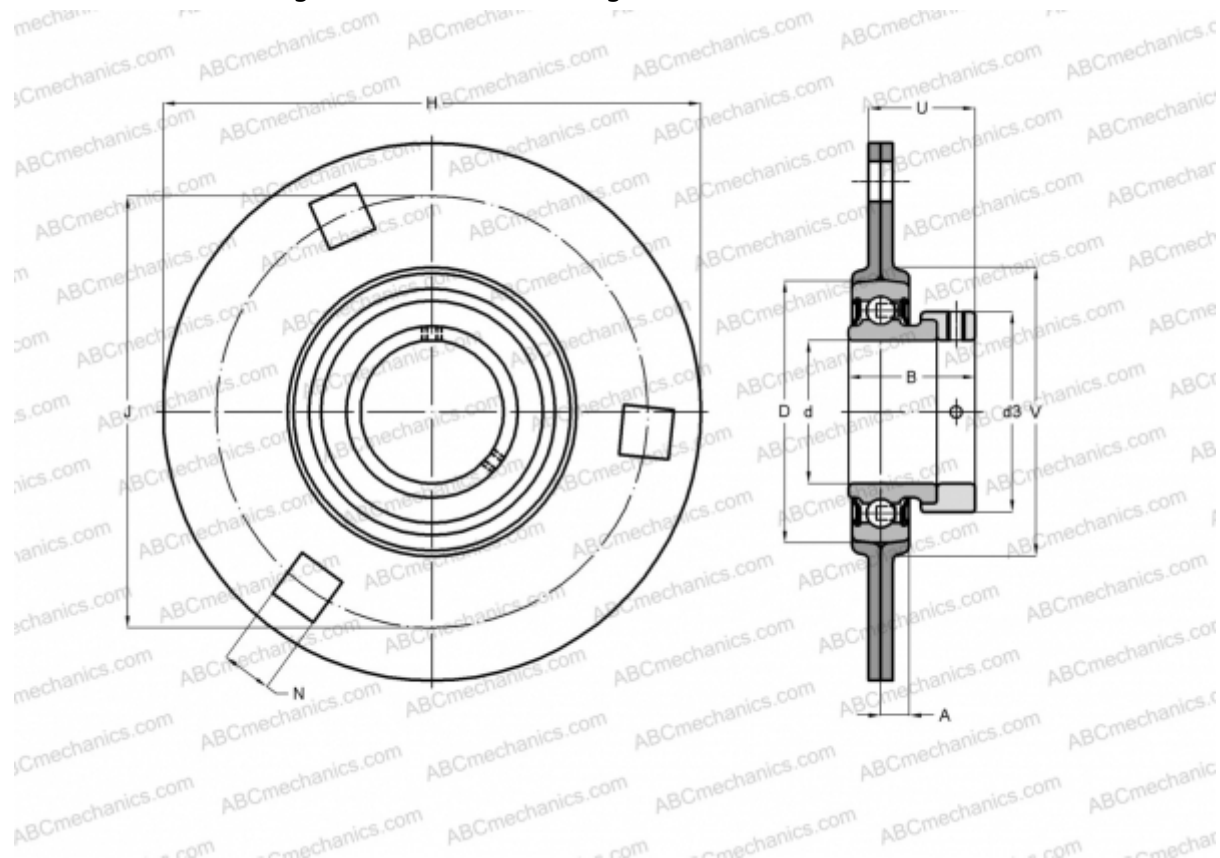


PF 15 FM SKF

Ball bearing units

TYPE: Housing units, Three/four-bolt flanged housing units, Sheet steel housing, Radial insert ball bearing with eccentric locking collar, With inner ring extended at one side



Technical specification

DIMENSIONS, MM

d	15,000
D	40,000
B	28,600
H	81,000
A	7,000
J	63,000
N	7,100
d3	27,200
U	24,100
V	49,000

WEIGHT, KG

Bearing	YET 203/15
Housing	PF 40

MANUFACTURER

[SKF](#)

INTERCHANGE

ABC	ESPF202
INA	RA15
SNR	ESPF202
SLB	SAPF 202
FYH	SAPF 202
NTN	AELPF 202 W3

CALCULATION DATA

Basic dynamic load rating, C	9,560 kN
Basic static load rating, Co	4,750 kN
Fatigue load limit, Pu	0,200 kN