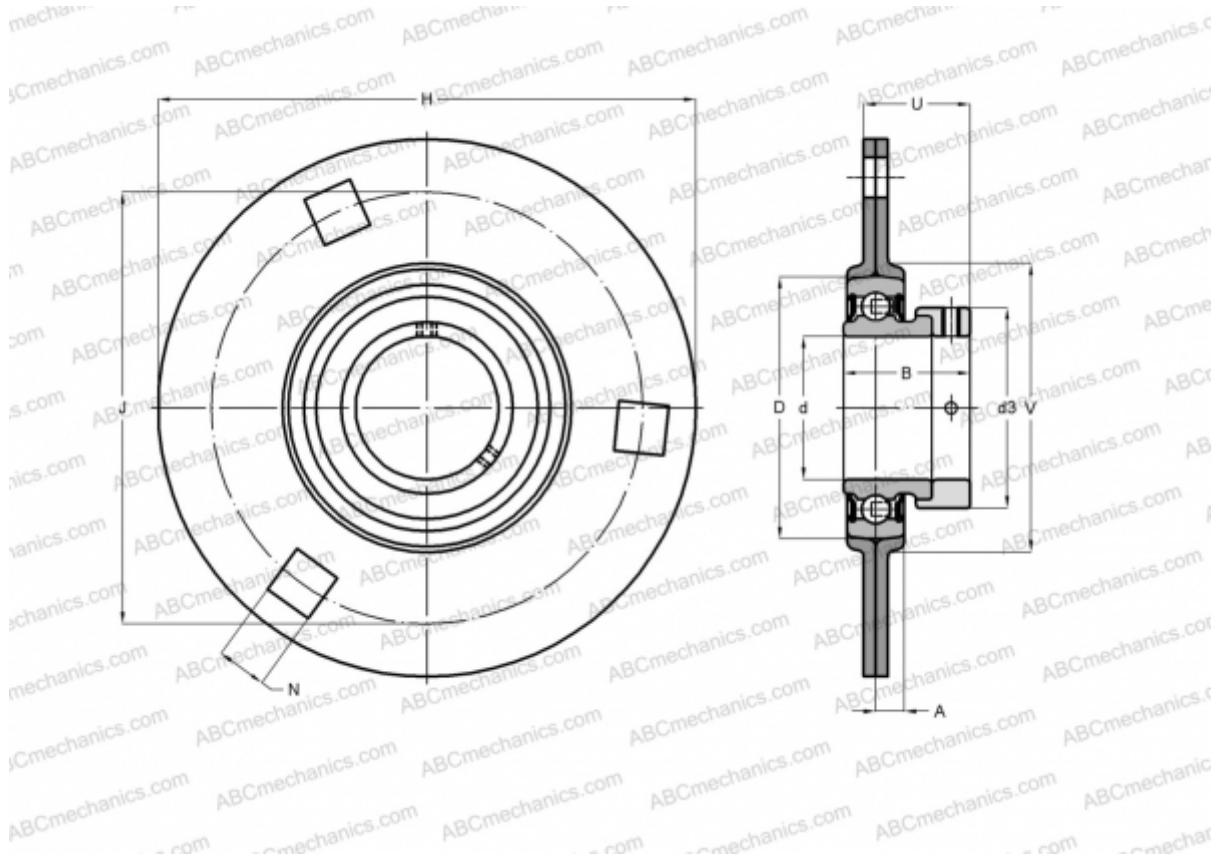


## RA15 INA

Ball bearing units

TYPE: Housing units, Three/four-bolt flanged housing units, Sheet steel housing, Radial insert ball bearing with eccentric locking collar, With inner ring extended at one side



### Technical specification

#### DIMENSIONS, MM

d	15,000
D	40,000
B	28,600
H	81,000
A	7,000
J	63,500
N	7,100
d3	28,000
U	24,000
V	48,000

**WEIGHT** 0,230

Bearing	RAE15-NPP-B
Housing	FLAN40-MSB x

#### MANUFACTURER

[INA](#)

#### INTERCHANGE

ABC	<a href="#">ESPF202</a>
SKF	<a href="#">PF 15 FM</a>
SNR	<a href="#">ESPF202</a>
SLB	<a href="#">SAPF 202</a>
FYH	<a href="#">SAPF 202</a>
NTN	<a href="#">AELPF 202 W3</a>

#### CALCULATION DATA

Basic dynamic load rating, C	9,800 kN
Basic static load rating, Co	4,750 kN