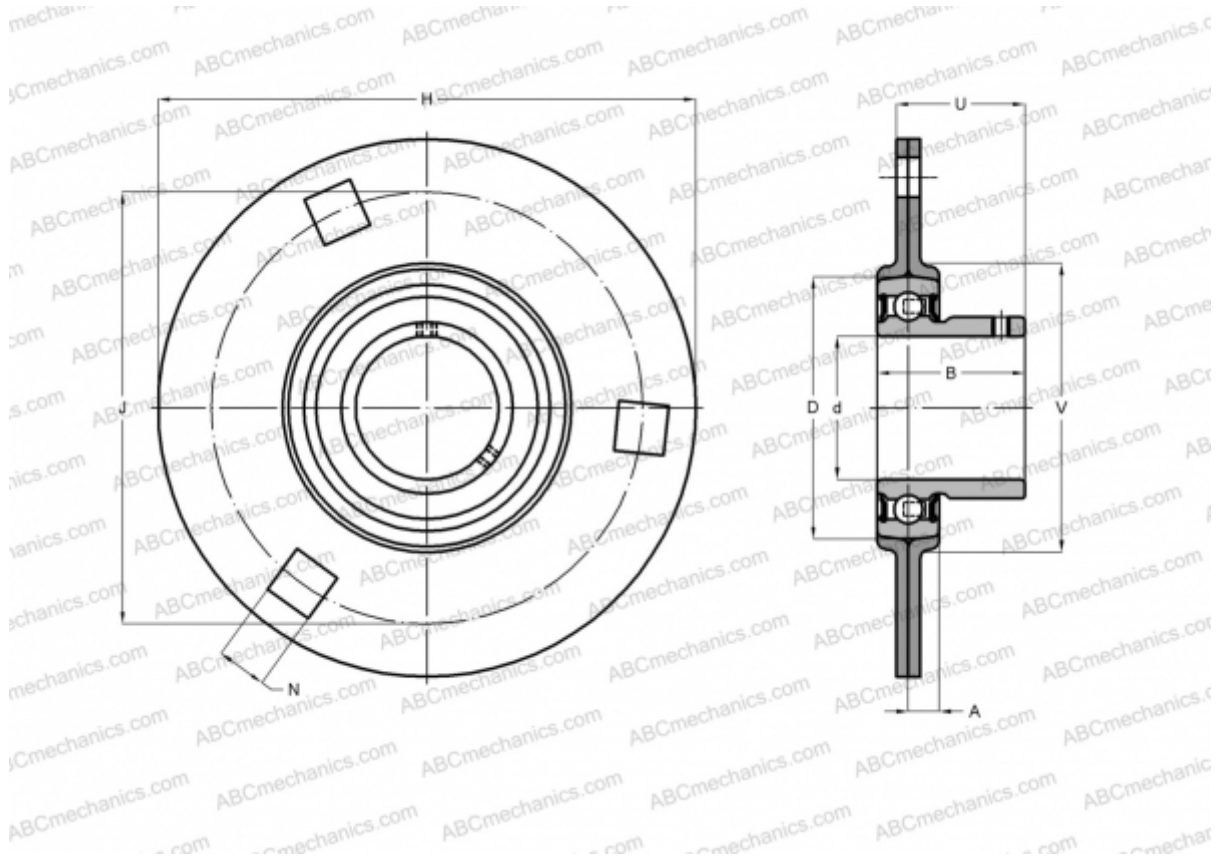


RAY12 INA

Ball bearing units

TYPE: Housing units, Three/four-bolt flanged housing units, Sheet steel housing, Radial insert ball bearing with grub screws in inner ring, With inner ring extended at one side



Technical specification

DIMENSIONS, MM

d	12,000
D	40,000
B	22,000
H	81,000
A	7,000
J	63,500
N	7,100
U	18,000
V	48,000

WEIGHT, KG

0,170

Bearing	AY12-NPP-B
Housing	FLAN40-MSB x

2

MANUFACTURER

[INA](#)

INTERCHANGE

ABC	USPF201
ASAHI	BPF 1
SNR	USPF201
SLB	SBPF 201
FYH	SBPF 201
NTN	ASPF 201

CALCULATION DATA

Basic dynamic load rating, C	9,800 kN
Basic static load rating, Co	4,750 kN