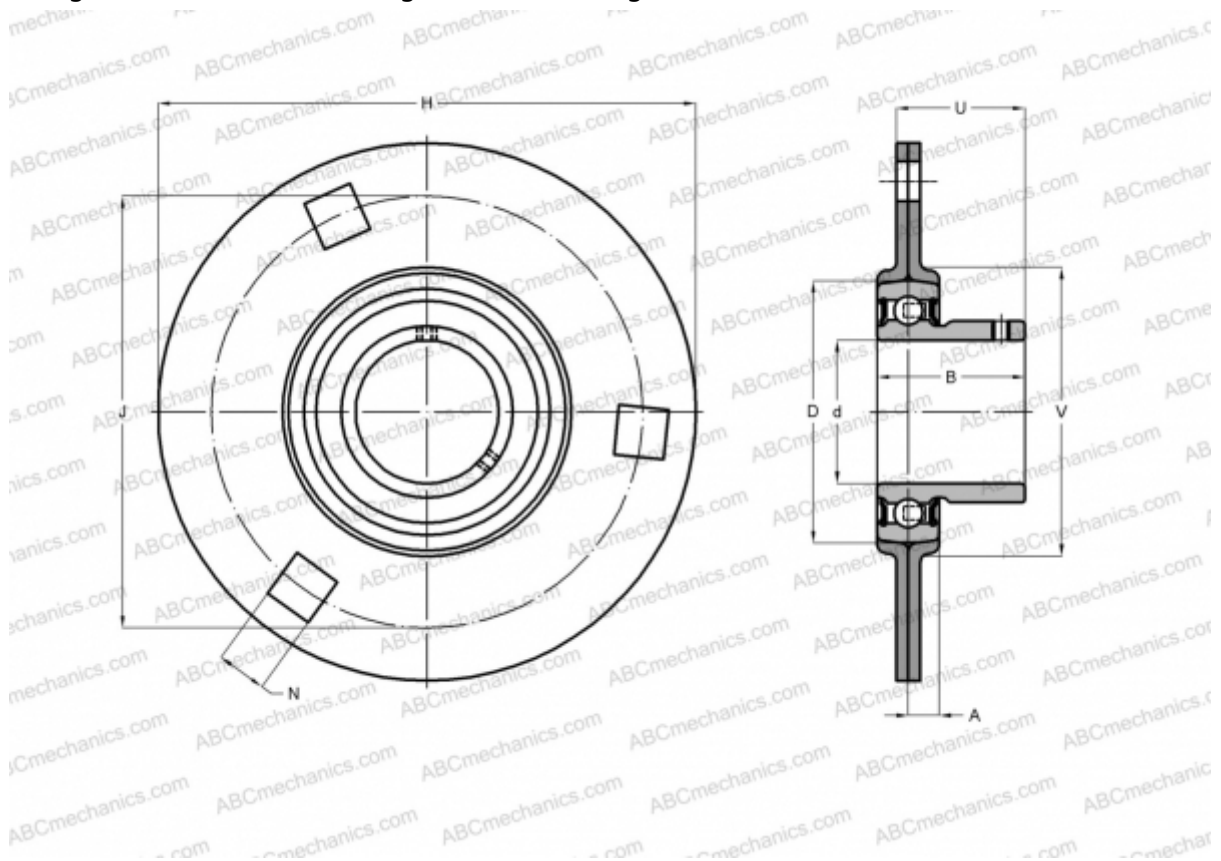


USPF201 SNR

Ball bearing units

TYPE: Housing units, Three/four-bolt flanged housing units, Sheet steel housing, Radial insert ball bearing with grub screws in inner ring, With inner ring extended at one side



Technical specification

DIMENSIONS, MM

d	12,000
D	40,000
B	22,000
H	81,000
A	6,700
J	63,500
N	7,100
V	49,000

WEIGHT, KG

	0,200
Bearing	US201
Housing	PF203

MANUFACTURER

[SNR](#)

INTERCHANGE

ABC	USPF201
ASAHI	BPF 1
INA	RAY12
SLB	SBPF 201
FYH	SBPF 201
NTN	ASPF 201

CALCULATION DATA

Basic dynamic load rating, C	9,550 kN
Basic static load rating, Co	4,780 kN
Operating temperature min	-20 °C
Operating temperature max	110 °C