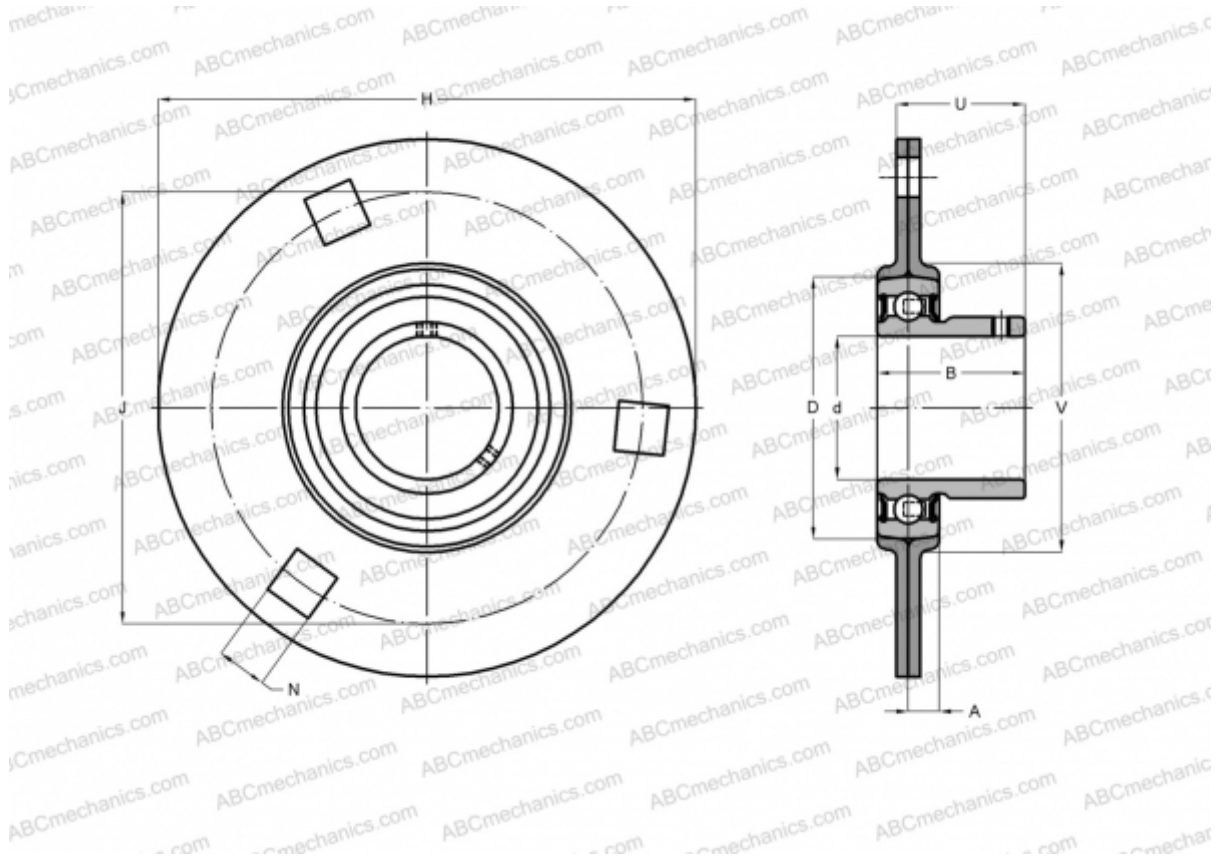


BPF 2 ASAHI

Ball bearing units

TYPE: Housing units, Three/four-bolt flanged housing units, Sheet steel housing, Radial insert ball bearing with grub screws in inner ring, With inner ring extended at one side



Technical specification

DIMENSIONS, MM

d	15,000
D	40,000
B	22,000
H	81,000
A	7,000
J	63,500
N	7,000
V	49,000

WEIGHT, KG 0,200

Bearing	B 2
Housing	PF 3

MANUFACTURER

[ASAHI](#)

INTERCHANGE

ABC	USPF202
INA	RAY15
SNR	USPF202
SLB	SBPF 202
FYH	SBPF 202
NTN	ASPF 202