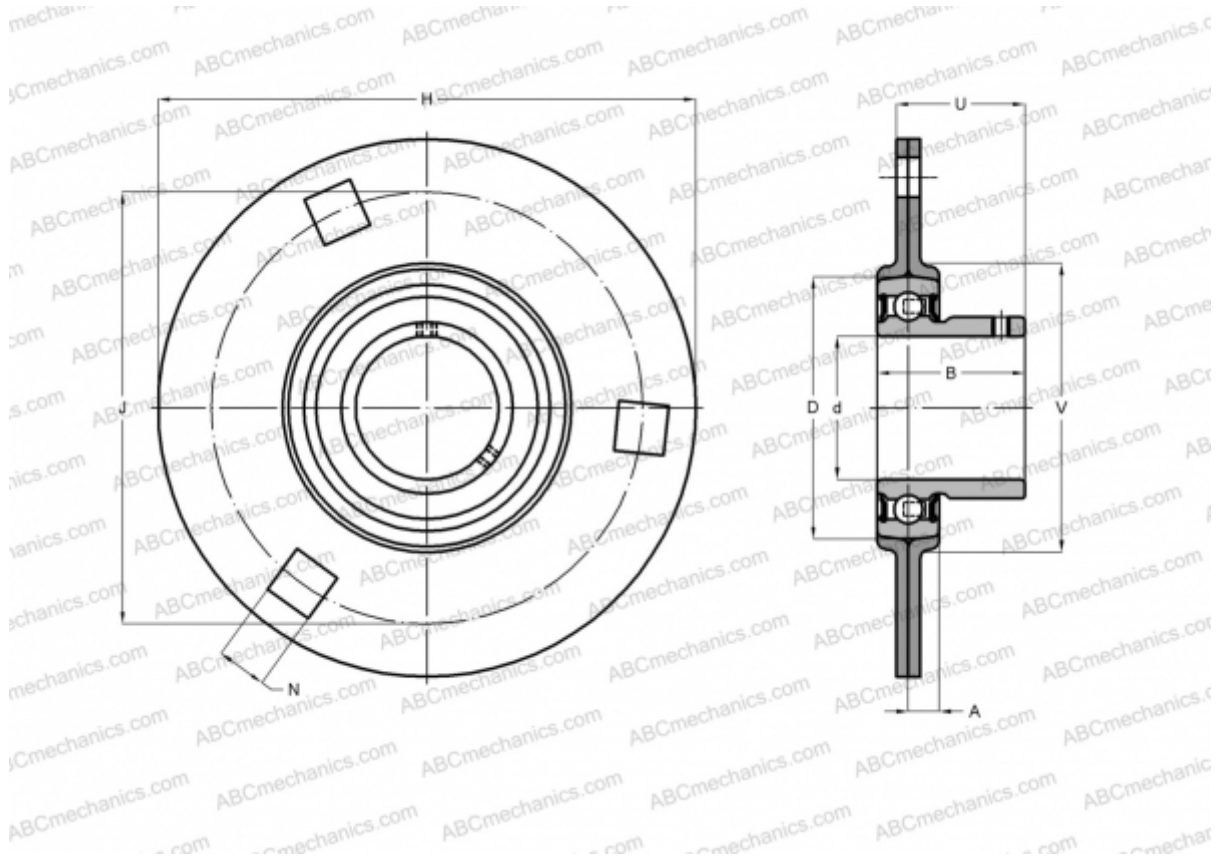


RAY15 INA

Ball bearing units

TYPE: Housing units, Three/four-bolt flanged housing units, Sheet steel housing, Radial insert ball bearing with grub screws in inner ring, With inner ring extended at one side



Technical specification

DIMENSIONS, MM

d	15,000
D	40,000
B	22,000
H	81,000
A	7,000
J	63,500
N	7,100
U	18,000
V	48,000

WEIGHT, KG

Bearing	AY15-NPP-B	0,160
Housing	FLAN40-MSB x	

2

MANUFACTURER

[INA](#)

INTERCHANGE

ABC	USPF202
ASAHI	BPF 2
SNR	USPF202
SLB	SBPF 202
FYH	SBPF 202
NTN	ASPF 202

CALCULATION DATA

Basic dynamic load rating, C	9,800 kN
Basic static load rating, Co	4,750 kN