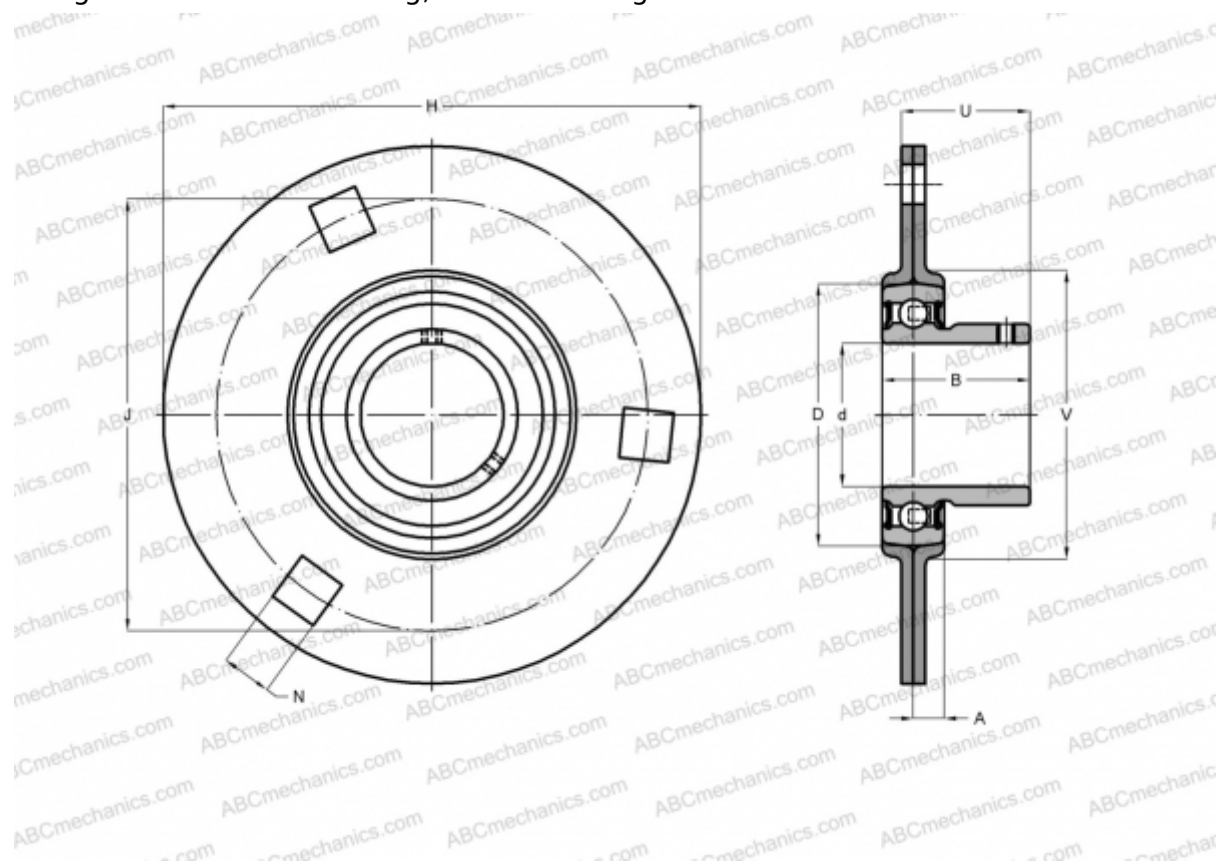


## USPF202 SNR

Ball bearing units

TYPE: Housing units, Three/four-bolt flanged housing units, Sheet steel housing, Radial insert ball bearing with grub screws in inner ring, With inner ring extended at one side



### Technical specification

#### DIMENSIONS, MM

d	15,000
D	40,000
B	22,000
H	81,000
A	6,700
J	63,500
N	7,100
V	49,000

#### WEIGHT, KG

Bearing	US202
Housing	PF203

#### MANUFACTURER

[SNR](#)

#### INTERCHANGE

ABC	<a href="#">USPF202</a>
ASAHI	<a href="#">BPF 2</a>
INA	<a href="#">RAY15</a>
SLB	<a href="#">SBPF 202</a>
FYH	<a href="#">SBPF 202</a>
NTN	<a href="#">ASPF 202</a>

#### CALCULATION DATA

Basic dynamic load rating, C	9,550 kN
Basic static load rating, Co	4,780 kN
Operating temperature min	-20 °C
Operating temperature max	110 °C