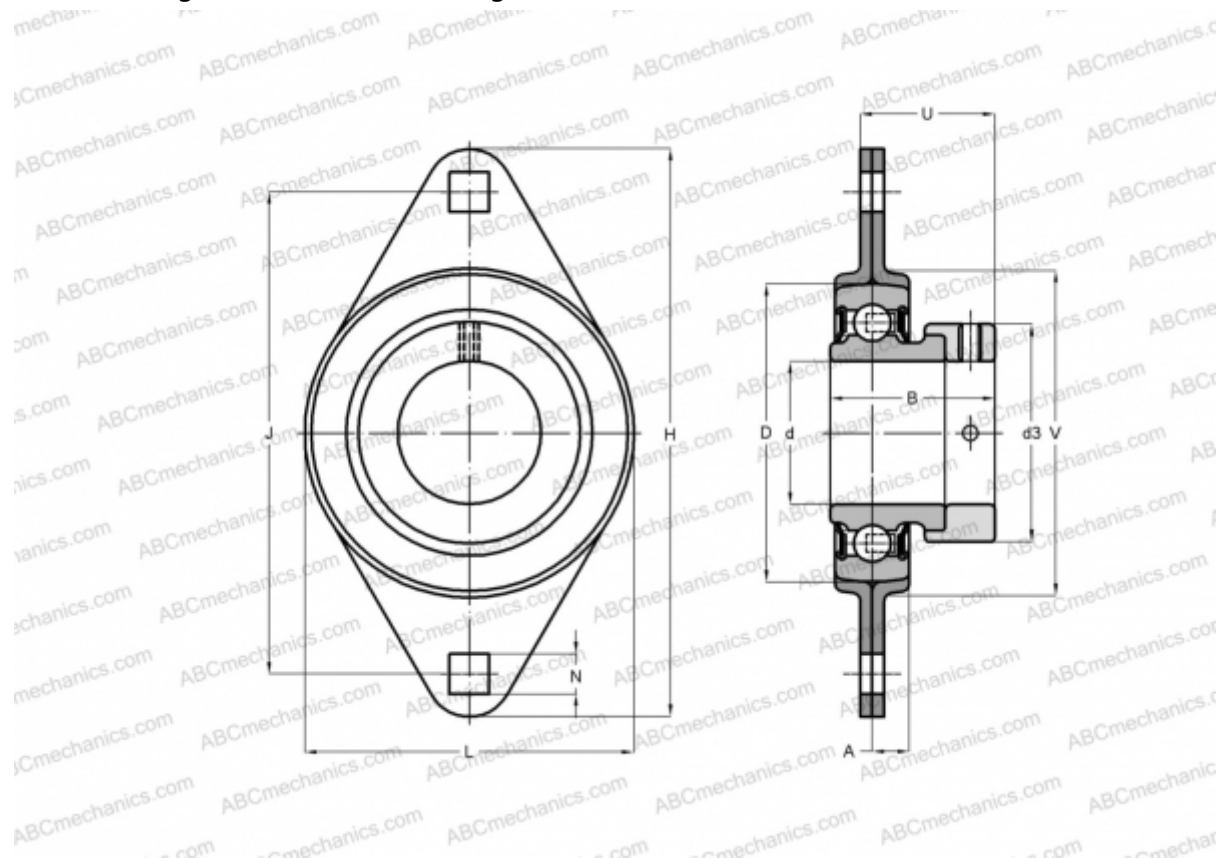


## ESPFL202 ABC

Ball bearing units

TYPE: Housing units, Two-bolt flanged housing units, Sheet steel housing, Radial insert ball bearing with eccentric locking collar, With inner ring extended at one side



### Technical specification

#### DIMENSIONS, MM

d	15,000
D	40,000
B	28,600
L	58,700
H	81,000
A	6,700
J	63,500
N	7,100
d3	28,600
V	49,000

#### WEIGHT, KG

	0,200
Bearing	ES202
Housing	PFL203

#### MANUFACTURER

[ABC](#)

#### INTERCHANGE

SKF	<a href="#">PFT 15 FM</a>
INA	<a href="#">RAT15</a>
SNR	<a href="#">ESPFL202</a>